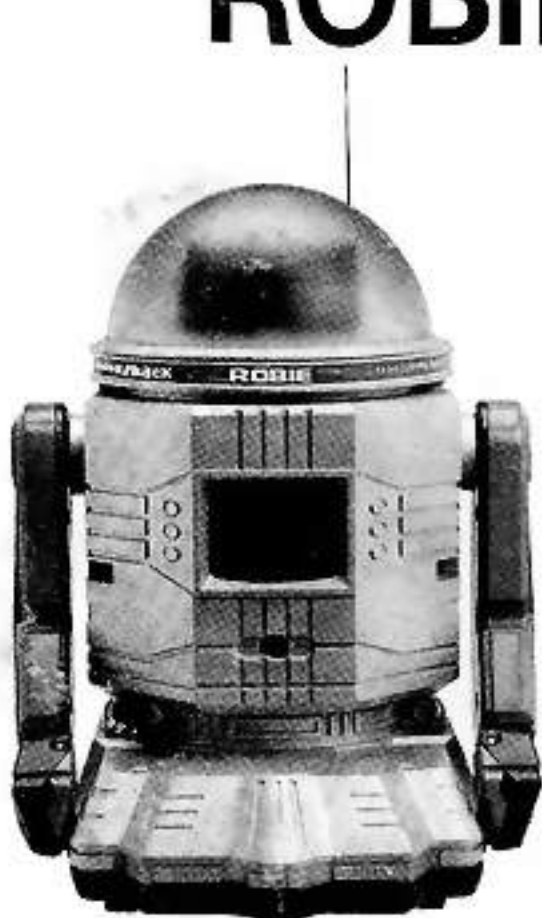


RADIO-CONTROLLED ROBIE™

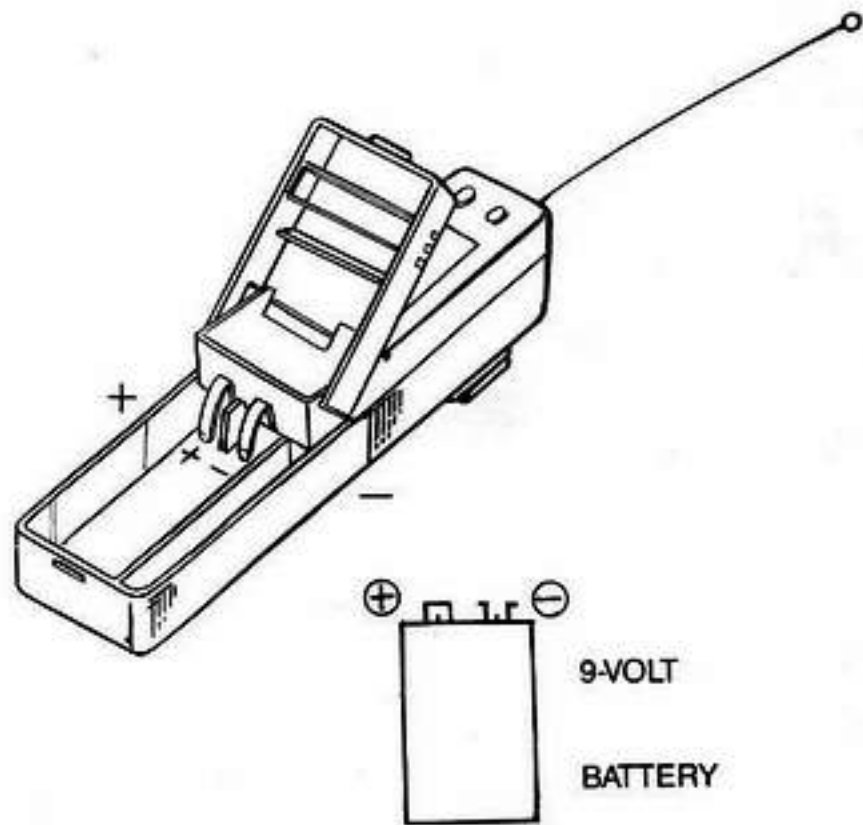
CAT. NO.
60-4054



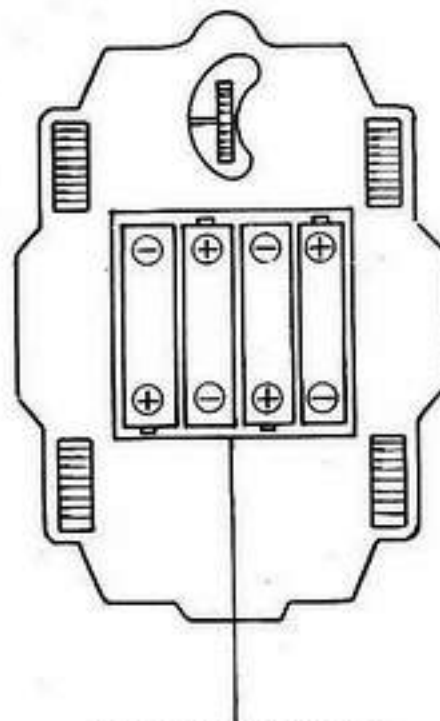
27 MHz

Radio Shack®

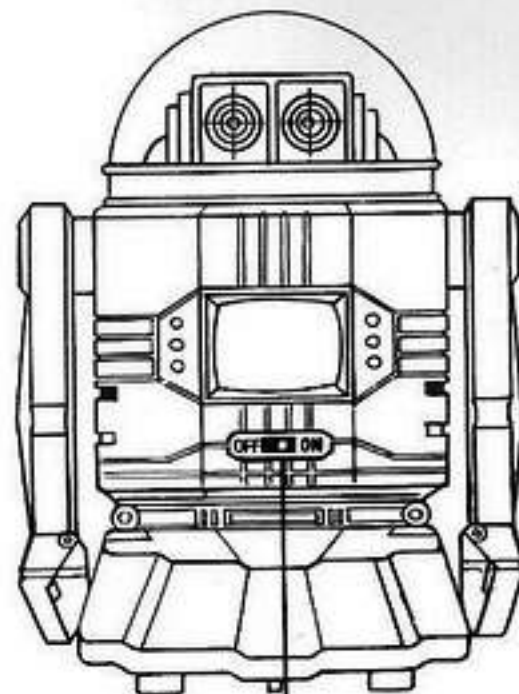
BATTERY INSTALLATION



9-VOLT
BATTERY



FOUR AA BATTERIES



OFF-ON SWITCH

Copyright 1985, Tandy Corporation

BATTERY INSTALLATION

Robie

1. Set the ON/OFF switch on Robie to OFF.
2. Open the battery compartment (on the bottom) by pushing the latch ridges in the direction of the arrow. Lift the cover.
3. Insert four AA batteries observing correct polarity.
4. Replace the battery compartment cover.

Transmitter

1. Open the battery compartment (on the back) by pushing the latch ridges in the direction of the arrow. Flip open the battery compartment cover.
2. Insert one 9-volt battery using correct polarity.
3. Close the cover and push and snap in place.

OPERATION

1. Set the ON/OFF switch on Robie to ON.
2. Put the robot on the floor.
3. Make sure both antennas are upright.
4. Press the control button on the transmitter and Robie moves forward and his eyes light. Release the button and he stops. Press the button again and Robie goes in reverse in a circular pattern. Each time you press the control button the pattern of movement changes and the robot's eyes light.
5. You can manually move more Robie's arms up and down and open Robie's hands to grasp objects.

Tips

1. Avoid obstructions between the transmitter and the robot.
2. Avoid continuous use of the robot. More than 20 minutes causes excessive battery drain. It's best to let Robie rest for short intervals so the batteries can stay charged.

CAUTION AND MAINTENANCE

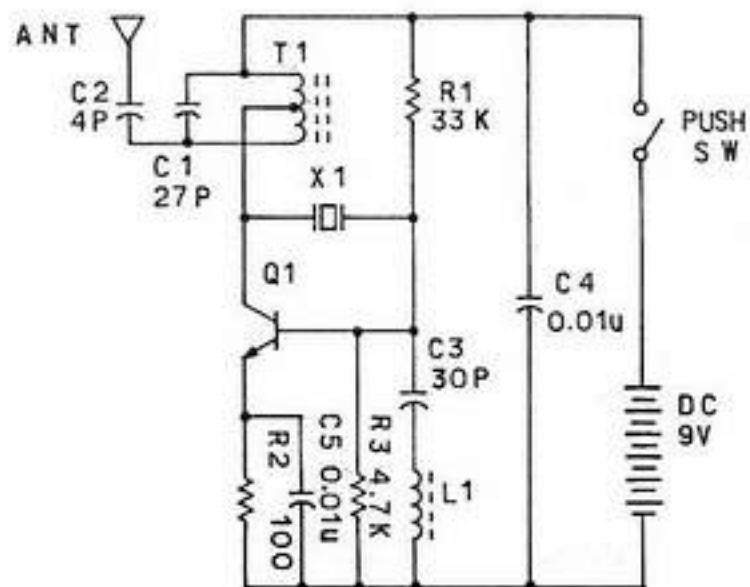
1. Do not operate on sand, dirt or thick carpets. Do not allow Robie to get wet.
2. Do not bend antenna on Robie or control unit. For best transmission always keep them in a straight, vertical position.
3. When Robie is not going to be used for a long period, remove batteries from Robie and transmitter.
4. Do not store Robie or control unit in direct sunlight or near heat source.
5. When speed becomes noticeably slower, replace the AA batteries. Replace 9 Volt battery in control unit when control range is reduced. For best performance and longer battery life, use alkaline batteries.

— NOTES —

CONTINUED

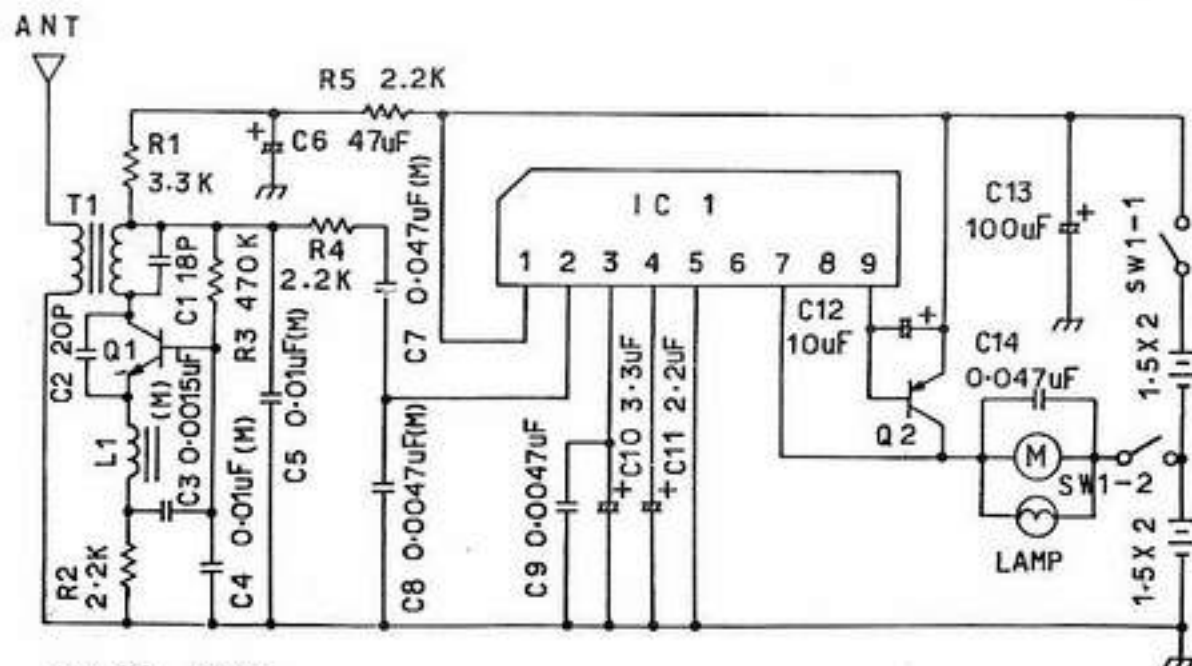
SCHEMATIC DIAGRAM

TRANSMITTER



Q1-KSC 945L
X1-27.045 MHz

RECEIVER



IC1 KA 2303
Q1 KSC 945 Y
Q2 KSA 634 H

Schematic subject to change without notice. For most accurate Schematic (and parts) contact Radio shack, National Parts Dept., Fort Worth TX 76101.

A decorative rectangular border with a repeating pattern of stylized leaves or petals surrounds the text.

RADIO SHACK LIMITED WARRANTY

This product is warranted against defects for 90 days from date of purchase from Radio Shack company-owned stores and authorized Radio Shack franchisees and dealers. Within this period, we will repair it without charge for parts and labor. Simply **bring your Radio Shack sales slip** as proof of purchase date to any Radio Shack store. Warranty does not cover transportation costs. Nor does it cover a product subjected to misuse or accidental damage.

EXCEPT AS PROVIDED HEREIN, RADIO SHACK MAKES NO WARRANTIES, EXPRESS OR IMPLIED, INCLUDING WARRANTIES OF MERCHANTABILITY AND FITNESS FOR A PARTICULAR PURPOSE. Some states do not permit limitation or exclusion of implied warranties; therefore, the aforesaid limitation(s) or exclusion(s) may not apply to the purchaser.

This warranty gives you specific legal rights and you may also have other rights which vary from state to state.

We Service What We Sell

**CUSTOM MANUFACTURED FOR RADIO SHACK
A DIVISION OF TANDY CORPORATION**

**U.S.A.: FORT WORTH, TEXAS 76102
CANADA: BARRIE, ONTARIO L4M 4W5**

TANDY CORPORATION

AUSTRALIA

91 KURRAJONG AVENUE
MOUNT DRUITT, N.S.W. 2770

BELGIUM

PARC INDUSTRIEL
5140 NANINNE (NAMUR)

U. K.

BILSTON ROAD WEDNESBURY
WEST MIDLANDS WS10 7JN