

The "Air Bot"™ Turns It On!

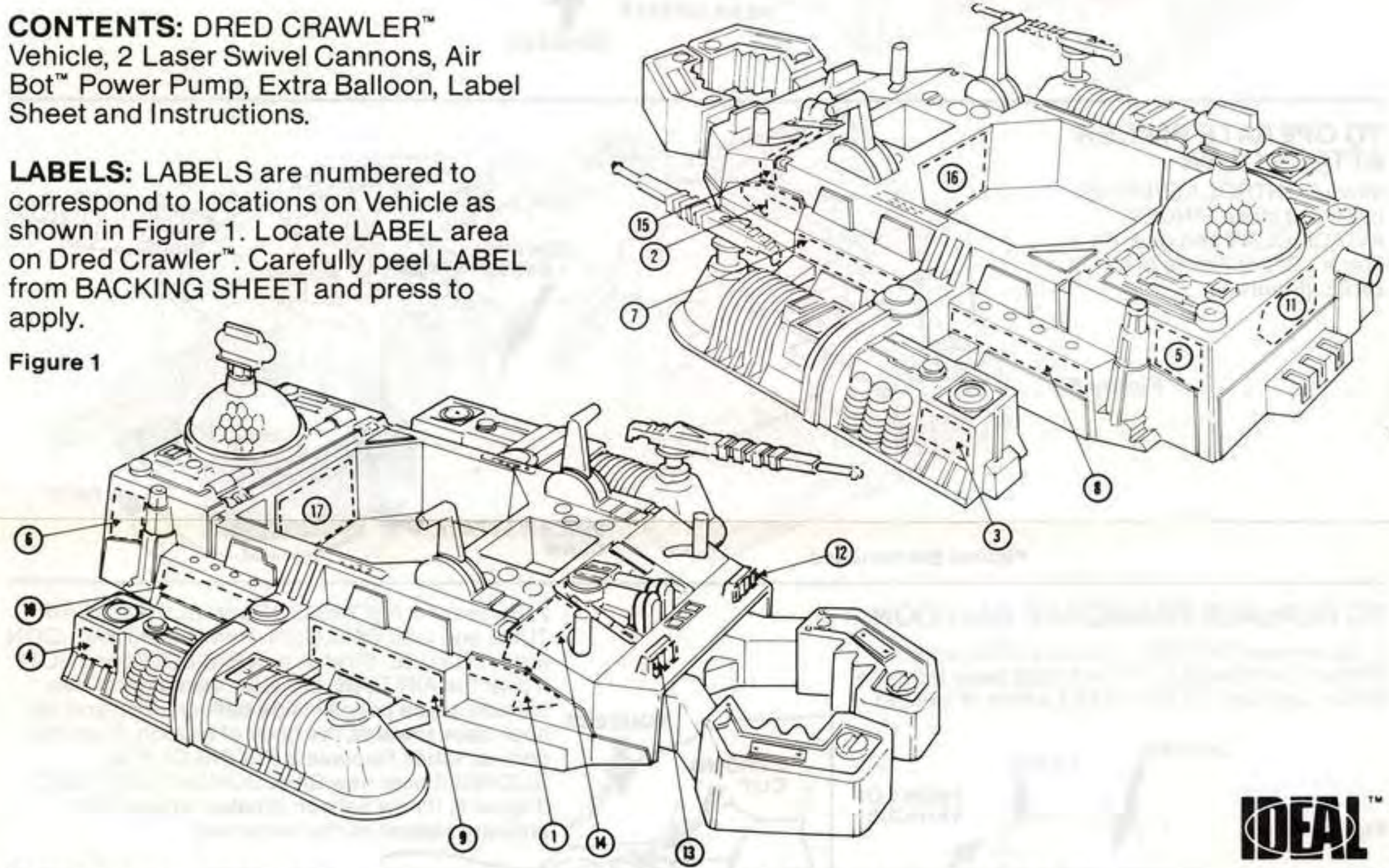
HUN-DRED™ and his evil robots launch their attacks against the powerful Robo Force™ in this motorized vehicle with its unique air-activation system. Insert the special "Air Bot"™ Power Pump into the rear nozzle, pump it

to make the periscope and "fuel indicator" rise, then watch Dred Crawler™ take off! Equipped with a working Pincer Attack Claw and 2 Laser Swivel Cannons, Dred Crawler™ is the vehicle of doom!

CONTENTS: DRED CRAWLER™ Vehicle, 2 Laser Swivel Cannons, Air Bot™ Power Pump, Extra Balloon, Label Sheet and Instructions.

LABELS: LABELS are numbered to correspond to locations on Vehicle as shown in Figure 1. Locate LABEL area on Dred Crawler™. Carefully peel LABEL from BACKING SHEET and press to apply.

Figure 1



INSERT BATTERIES

Two "AA" Batteries Required (not included). Alkaline Batteries Recommended. To remove BATTERY COVER, insert finger in NOTCH, and LIFT. Insert 2 "AA" Alkaline BATTERIES as shown. (Figure 2) Replace BATTERY COVER.

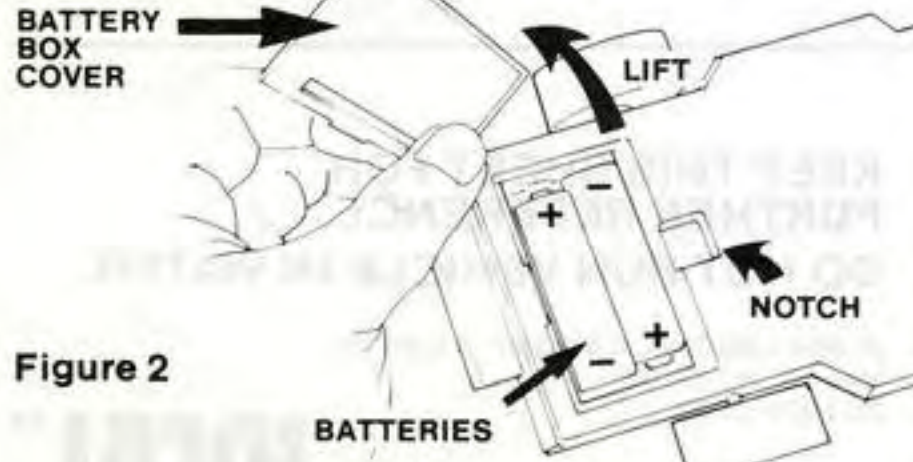


Figure 2

IMPORTANT: OBSERVE BATTERY POLARITY. If vehicle runs backwards, reverse battery direction.

INSERT LASER SWIVEL CANNONS

Insert PINS on CANNONS into HOLES on VEHICLE (Figure 3). **Note:** There are 4 cannon holes for varying attack positions.

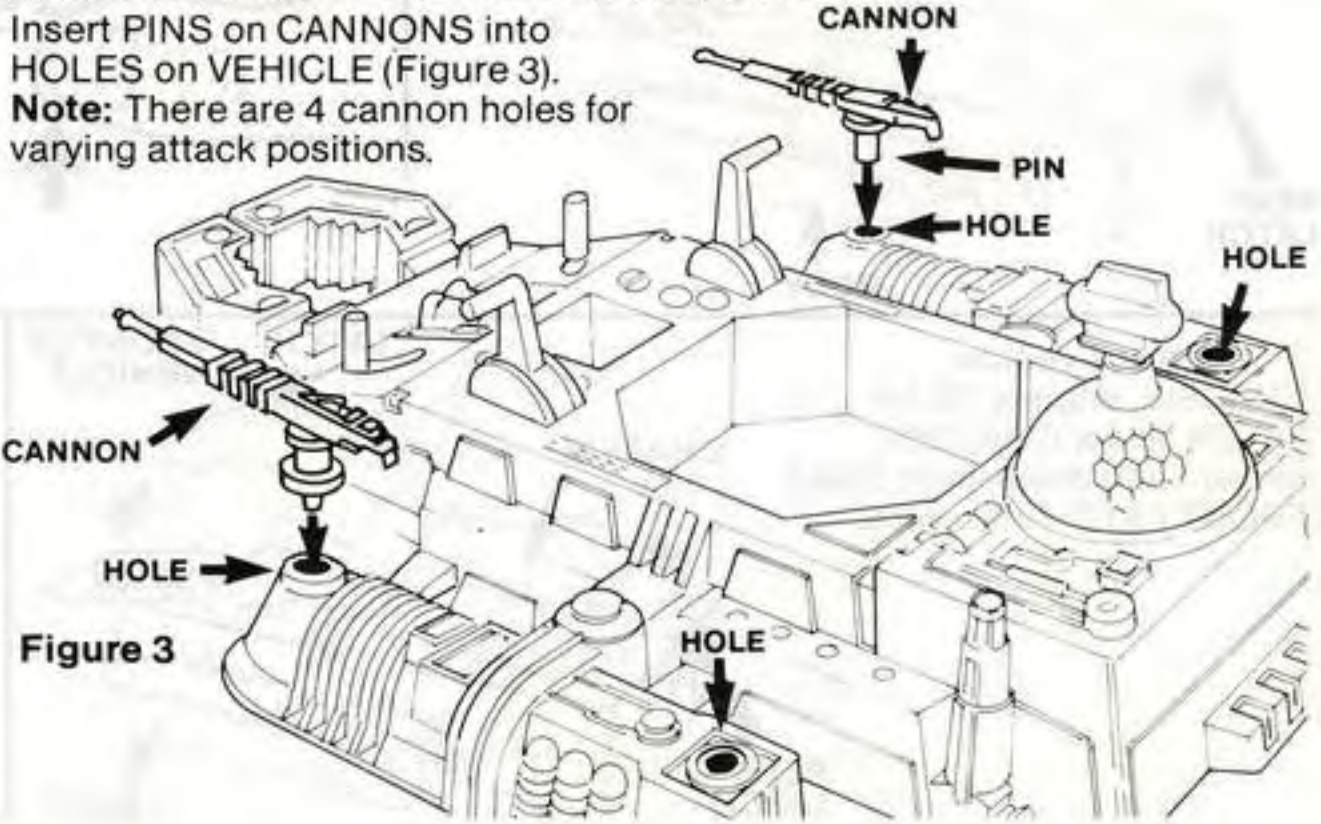


Figure 3

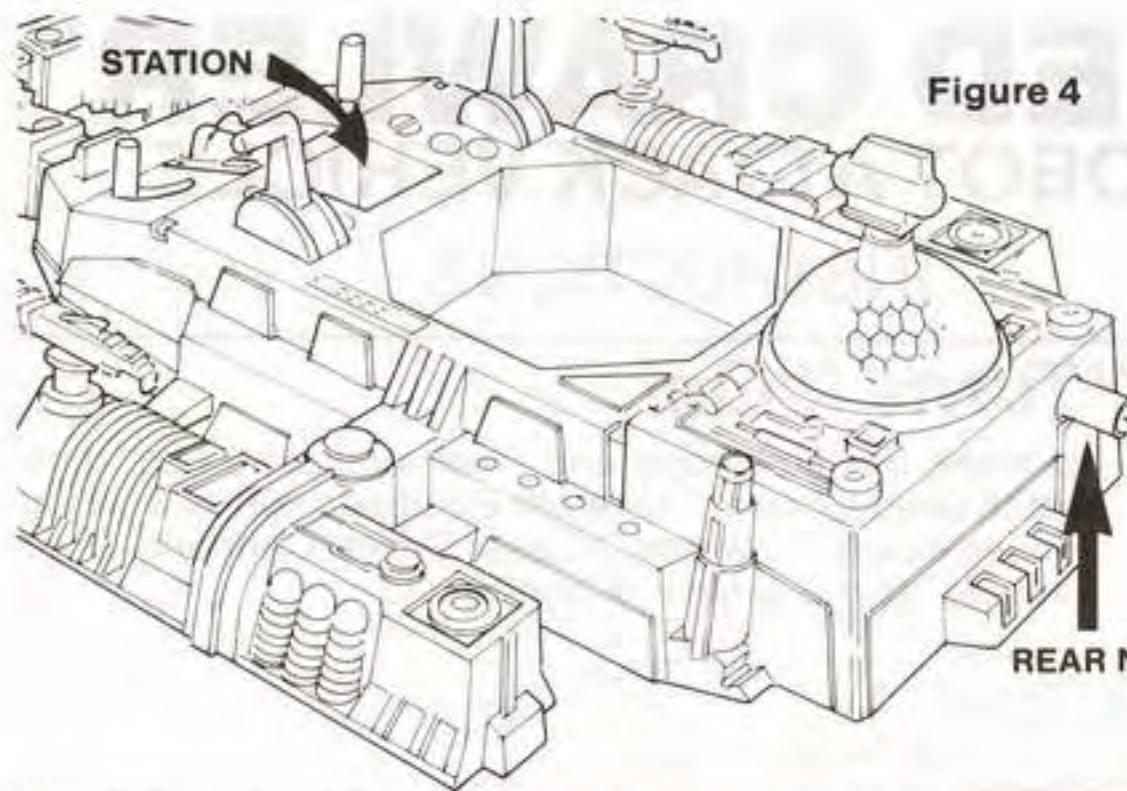
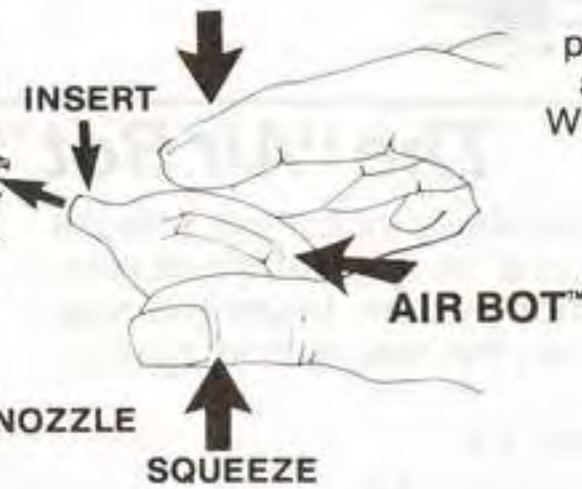


Figure 4

TO OPERATE VEHICLE

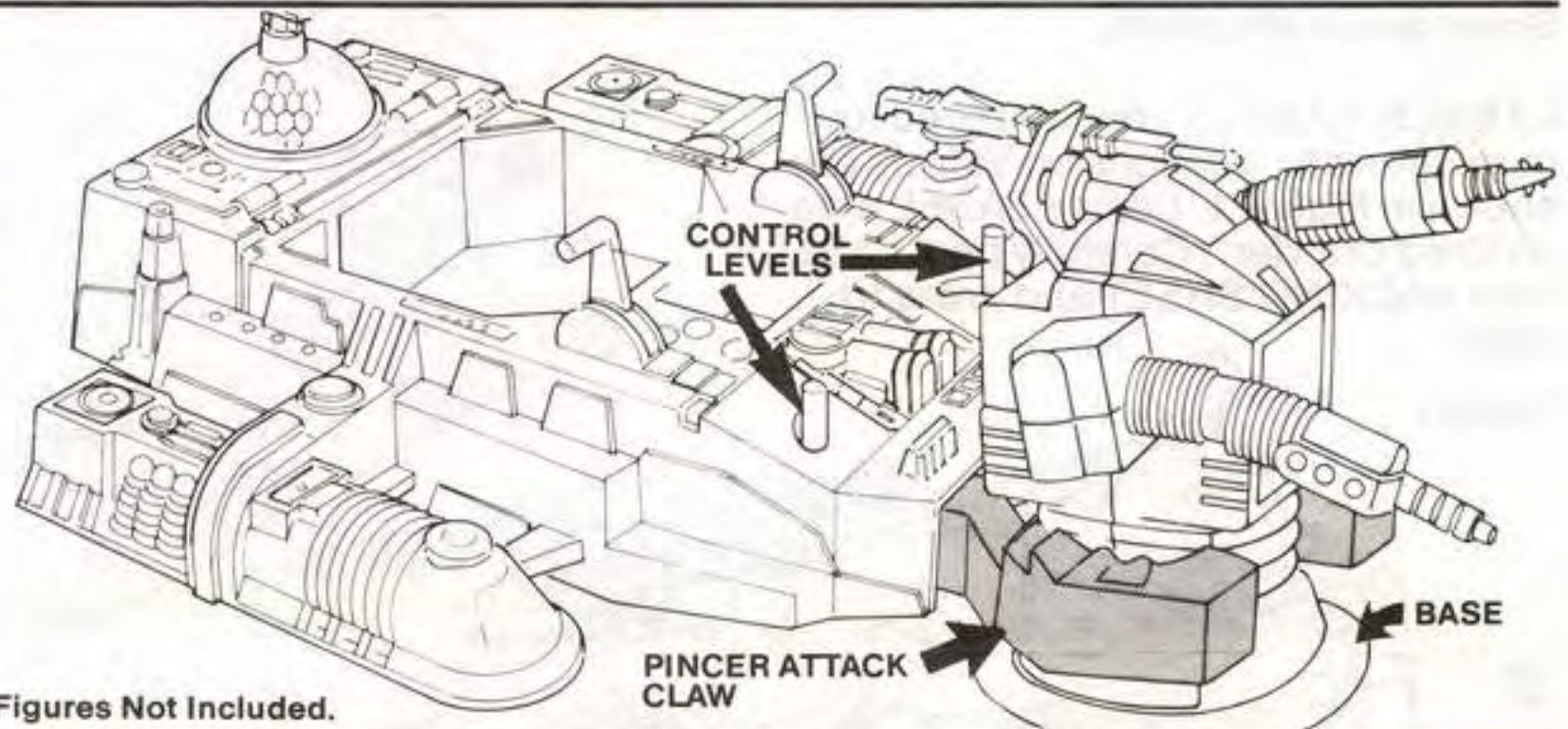
INSERT the "AIR BOT"™ Power Pump into the REAR NOZZLE. Hold vehicle in position and SQUEEZE the "AIR BOT"™ approximately 5-8 times. Do Not Squeeze More Than 10 Times! RELEASE, with "AIR BOT"™ in place, and watch Dred Crawler™ advance into motion! (Figure 4) When not in use, "AIR BOT"™ sits in his STATION at the front of Vehicle.



TO OPERATE PINCER ATTACK CLAW

Move CONTROL LEVERS to open and close PINCER ATTACK CLAW and grab Robo Force™ Robot Figure at its BASE. (Figure 5)

Figure 5



Figures Not Included.

TO REPLACE PERISCOPE BALLOON

1. To remove CHASSIS, unhook LATCH under FRONT OF VEHICLE, lift CHASSIS away from the BODY, and unhook the REAR LATCH. (Figure 6)

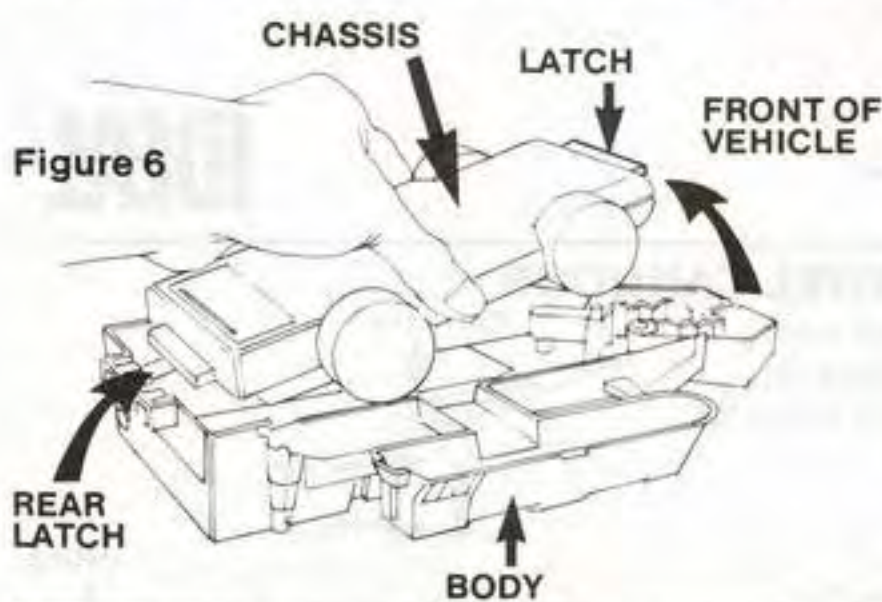


Figure 6

2. Squeeze 2 PRONG CLIP and SLIDE it off AIR TUBE and over BALLOON. Remove old BALLOON from AIR TUBE. Stretch new BALLOON and SLIP it over the AIR TUBE. (To ease assembly of new balloon, place pencil inside balloon neck and roll neck back towards the body of balloon. Then roll onto air tube.) Replace 2 PRONG CLIP by SLIDING it over new BALLOON onto AIR TUBE. (Figure 7) If new balloon breaks, replace with ordinary balloon of the same size.

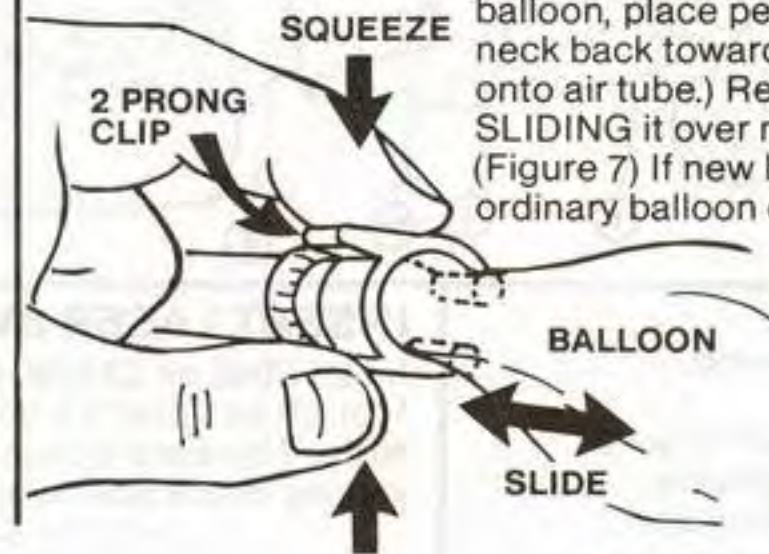
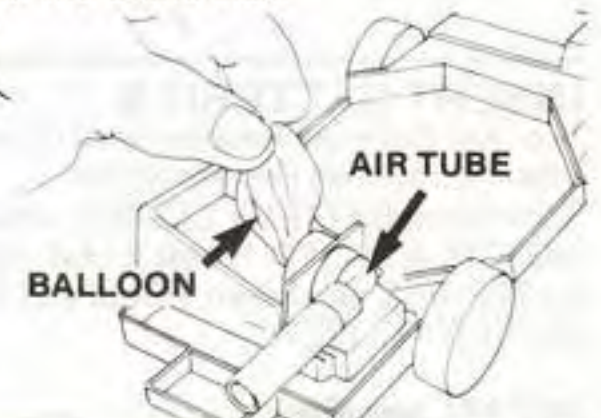
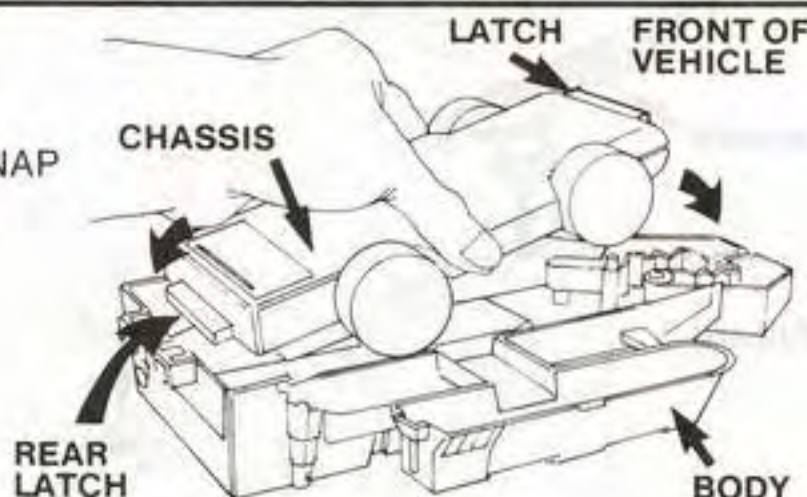


Figure 7



3. To replace vehicle CHASSIS, engage REAR LATCH, lower CHASSIS forward and down, then SNAP FRONT LATCH into place.



KEEP THIS SHEET FOR FURTHER REFERENCE. DO NOT RUN VEHICLE IN WATER.

©1984 CBS Toys, A Division of CBS Inc. Newark, NJ 07105 2L-2976-0000

