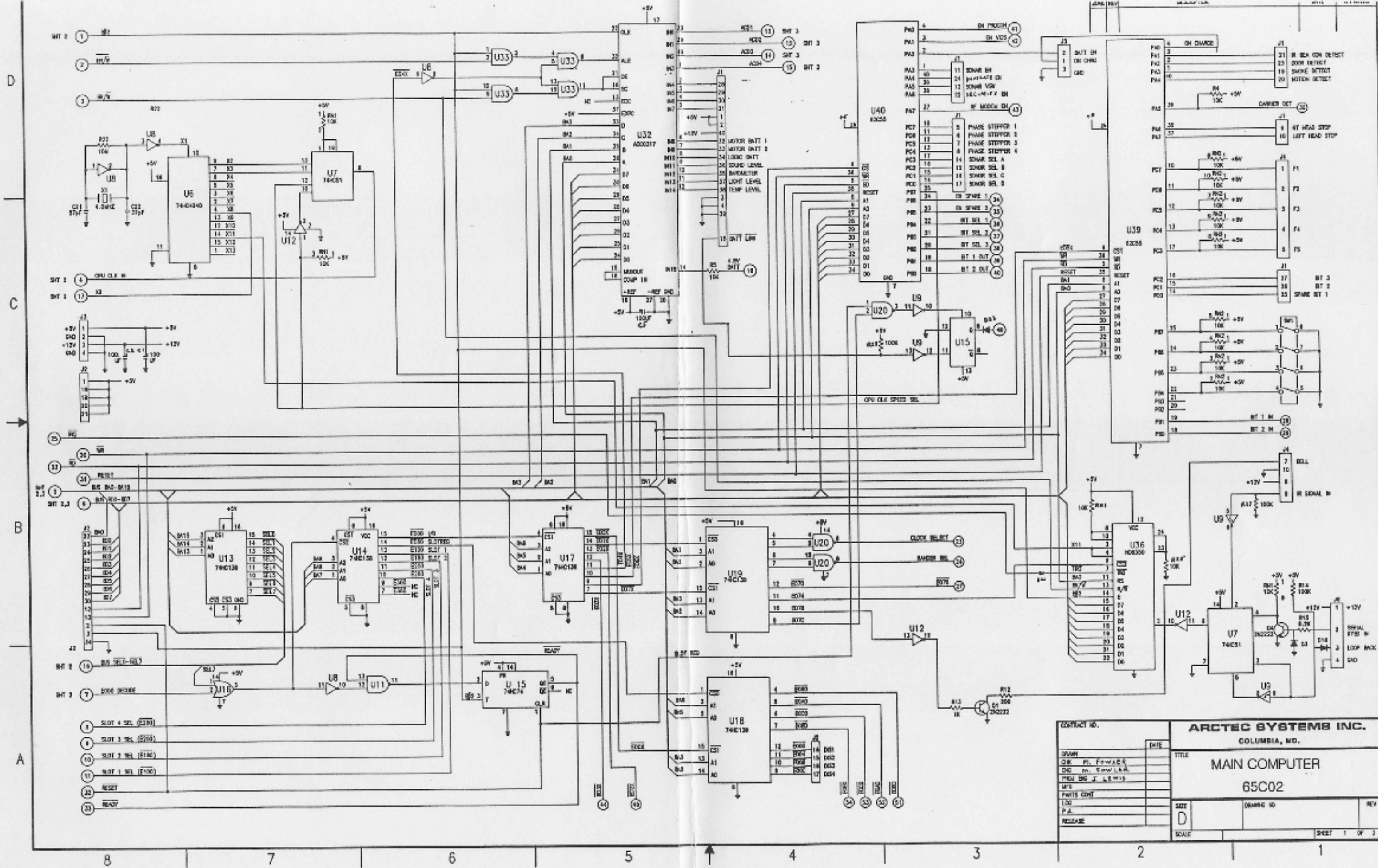


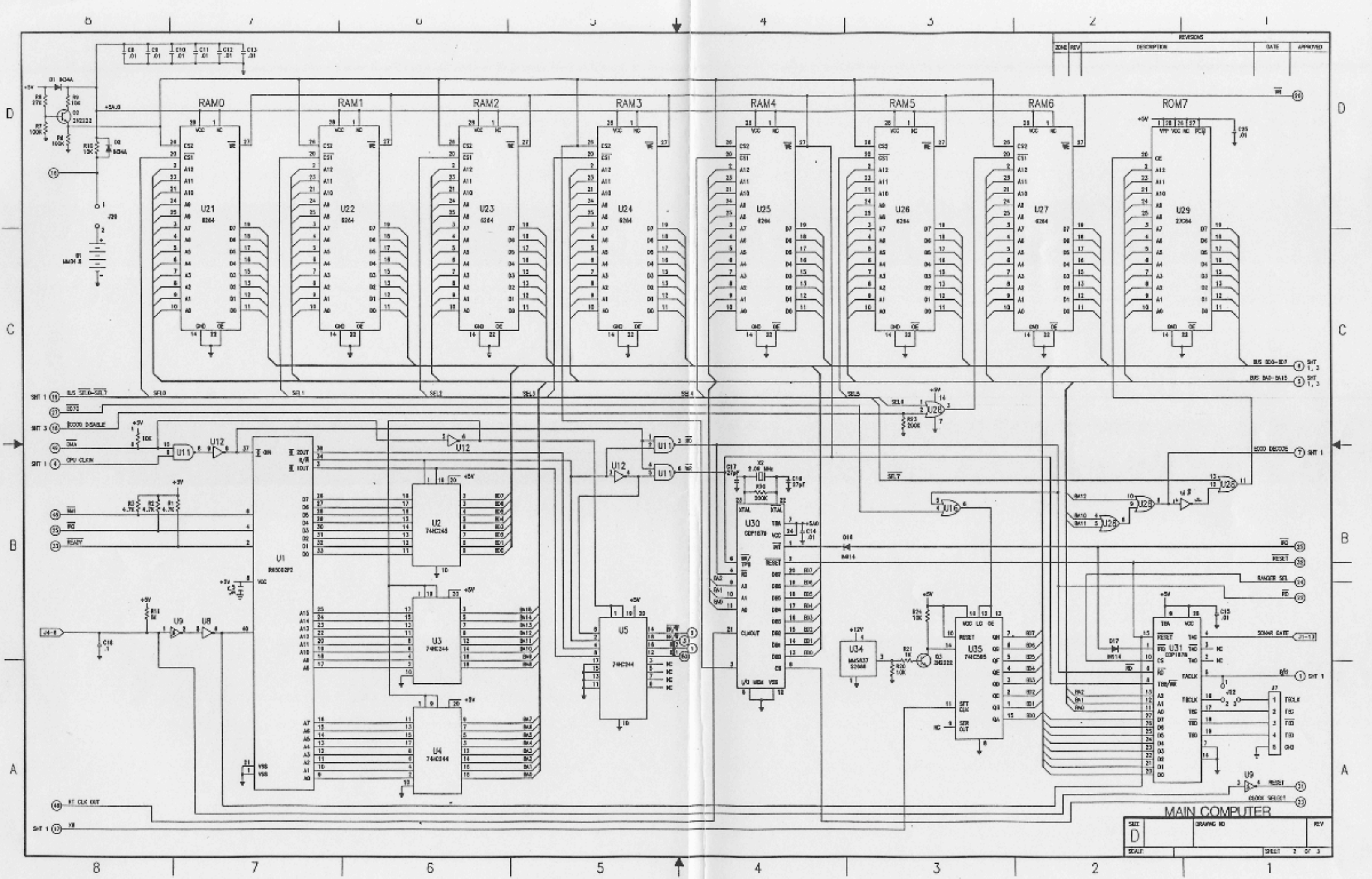
- 7/
- 1: 00 PIZ
  - 2: 01 AND
  - 3: 02 BOTH SERIAL OUT
  - 4: 03 AND

DESIGNED BY T. HEWELT	DATE 12/1/84		
CHECKED BY E. J. JONES	DATE 12/1/84	COLLEGE, MO. U.S.A.	
APPROVED BY	DATE	TITLE <b>KEYBOARD LOGIC</b>	
TOLERANCE UNLESS OTHERWISE SPECIFIED		SCALE	REV. OF
REV. 1	JAN 2	DRAWING NUMBER	PART NUMBER
REV. 2	JUN 7	<b>12</b>	
REV. 3		DESIGNED BY	DATE
REV. 4		CHECKED BY	DATE



EXTRACT NO. _____ DATE _____ DRAWN BY _____ CHECKED BY _____ DESIGNED BY _____ MFG. _____ PARTS LIST _____ P.A. _____ RELEASE _____		<b>ARCTEC SYSTEMS INC.</b> COLUMBIA, MD. TITLE <b>MAIN COMPUTER</b> <b>65C02</b> SHEET NO. _____ REV. _____ SCALE _____ SHEET 1 OF 3	
--	--	--	--

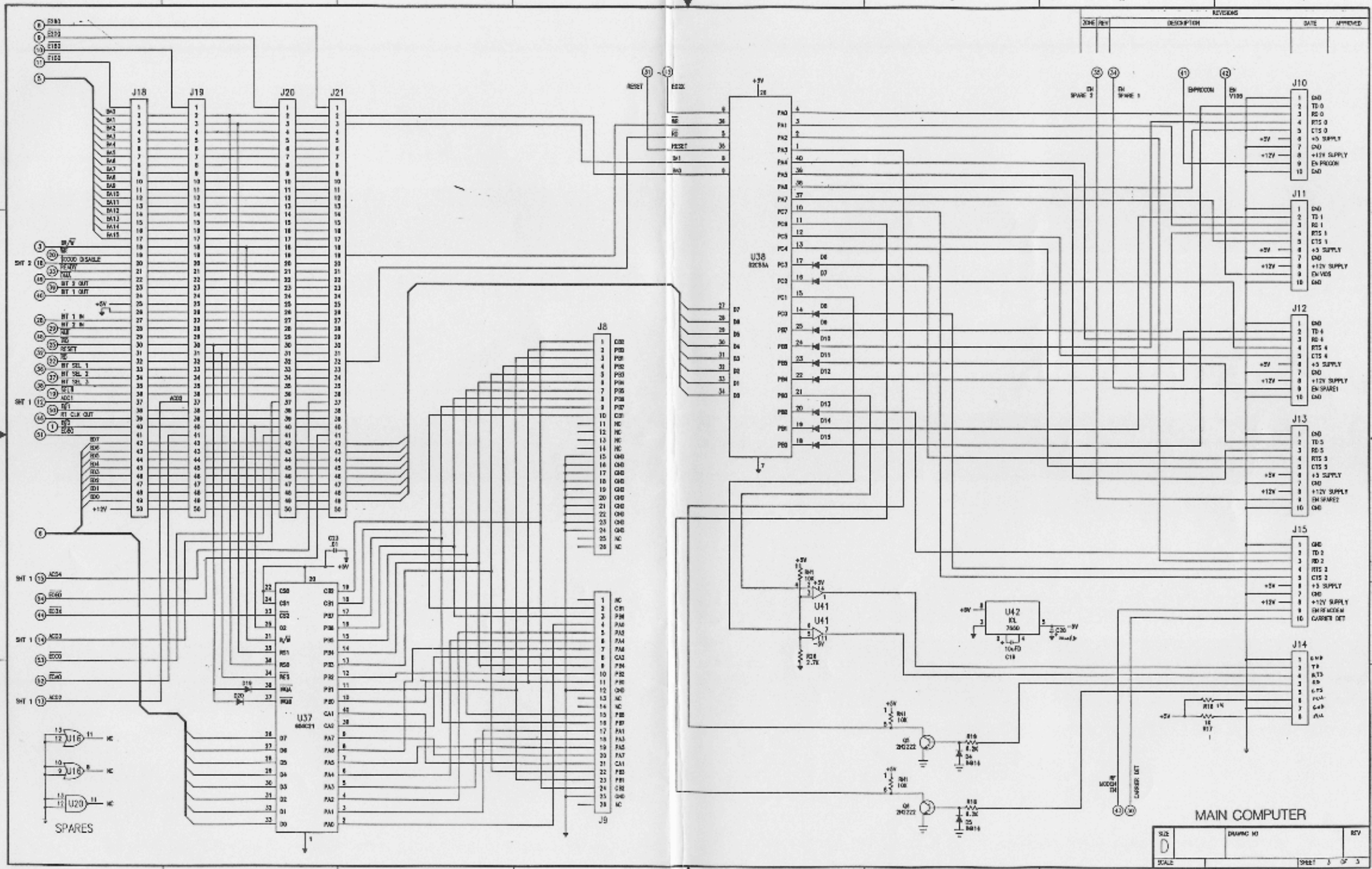
REVISIONS				
ZONE	REV	DESCRIPTION	DATE	APPROVED



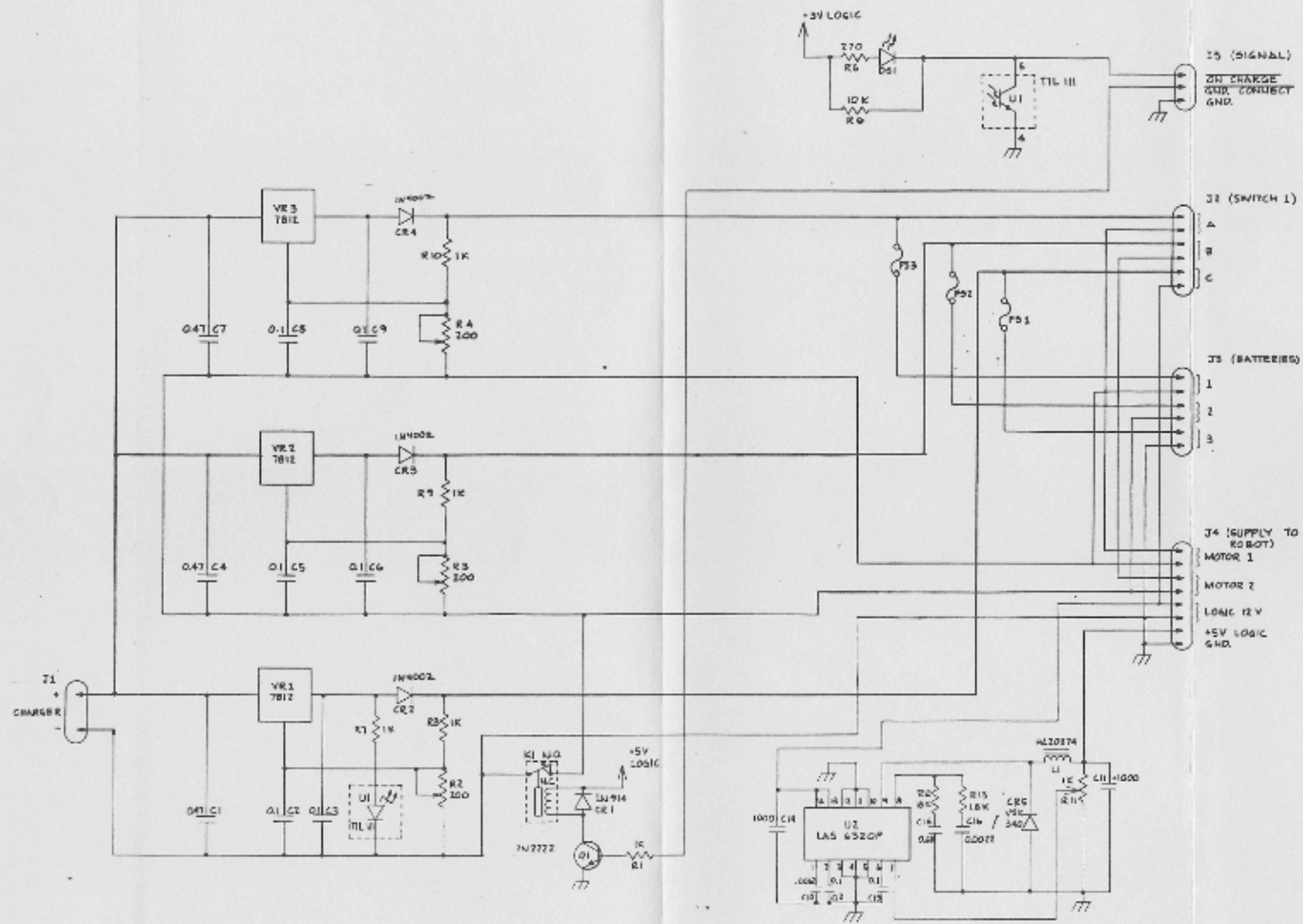
**MAIN COMPUTER**

SHEET	DRAWING NO	REV
D		
SCALE	SHEET	2 OF 3

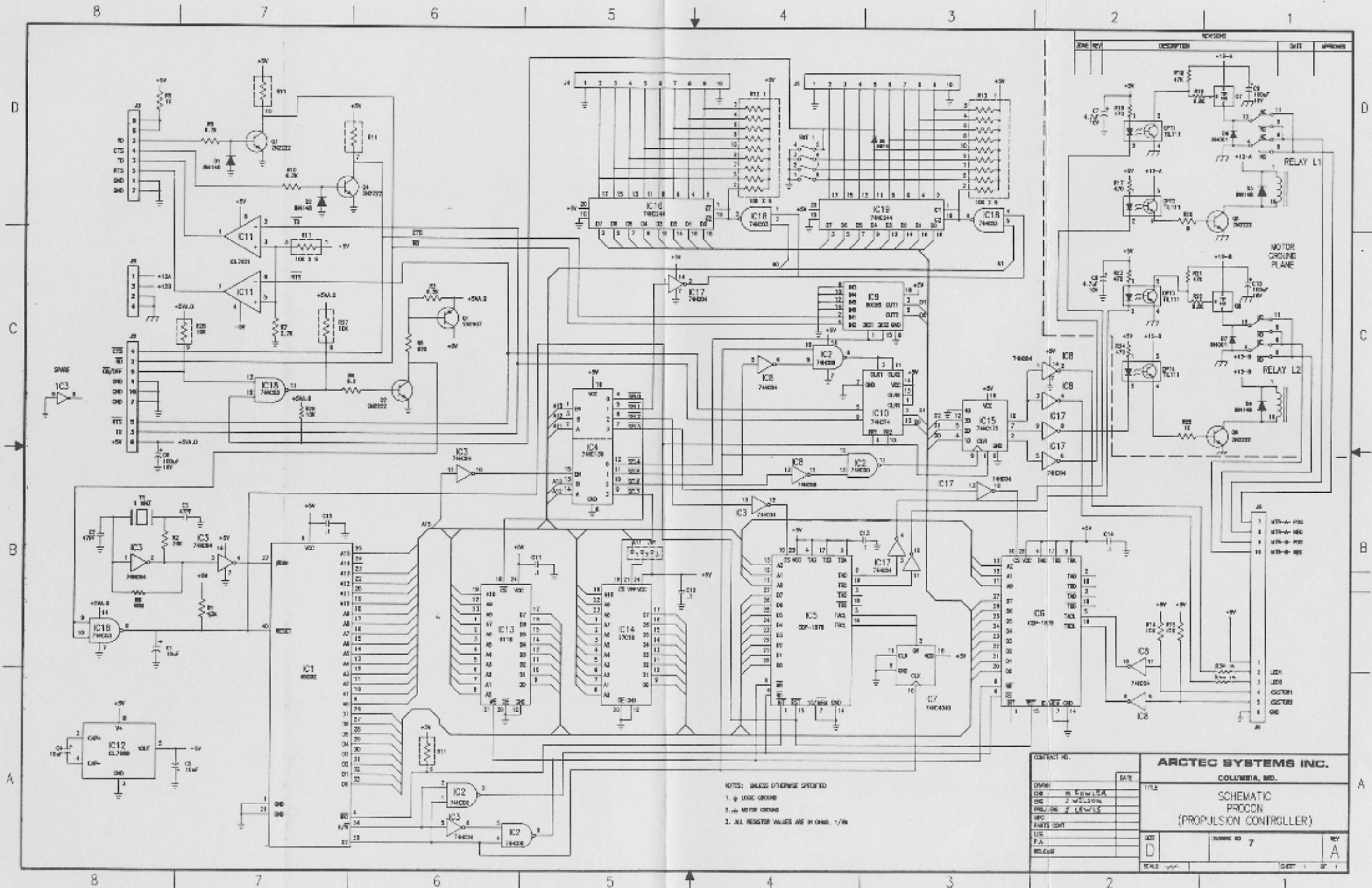
REVISES		DATE	APPROVED

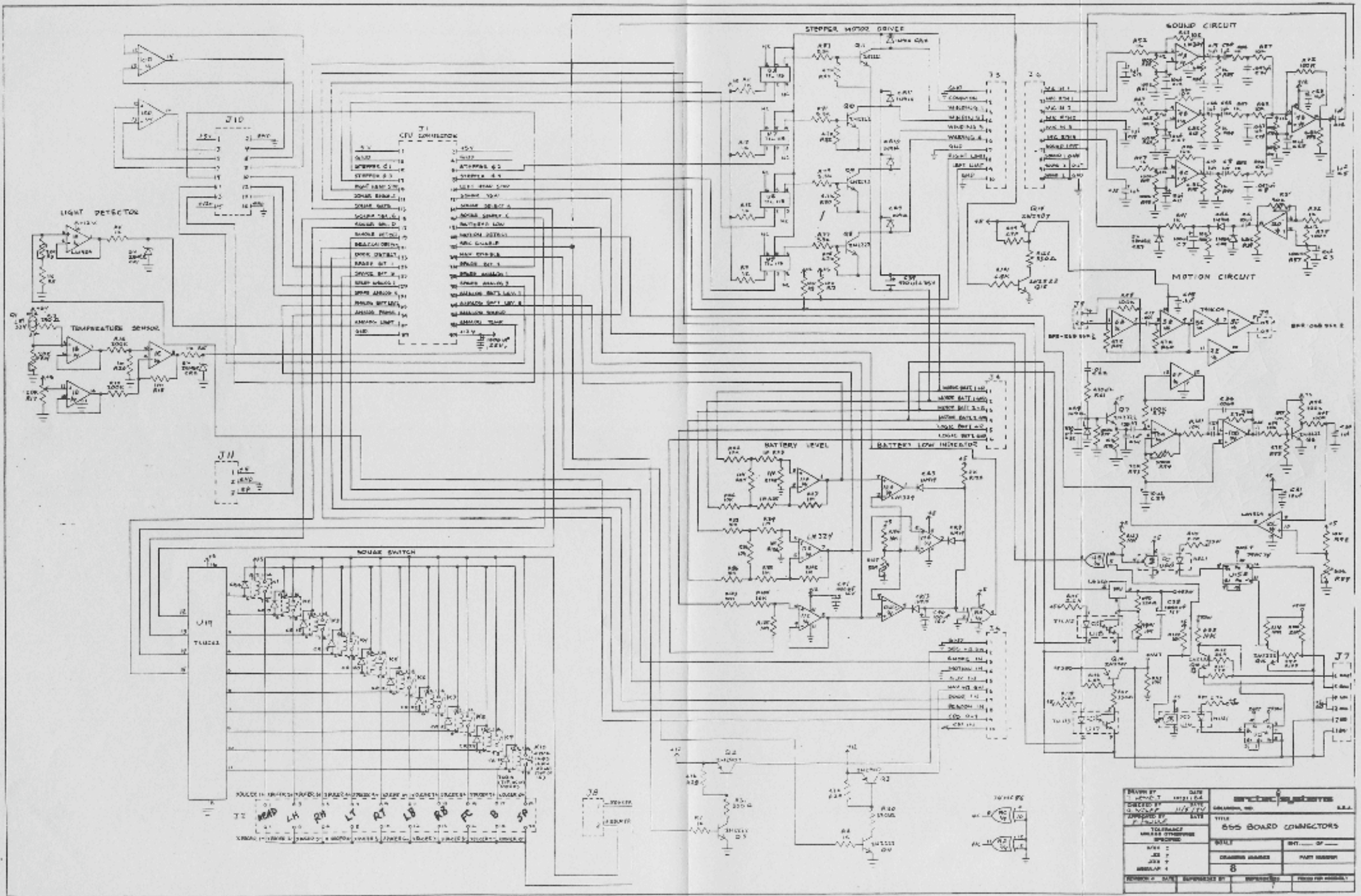


SIZE	D	DWG NO	REV
SCALE		SHEET	3 OF 3

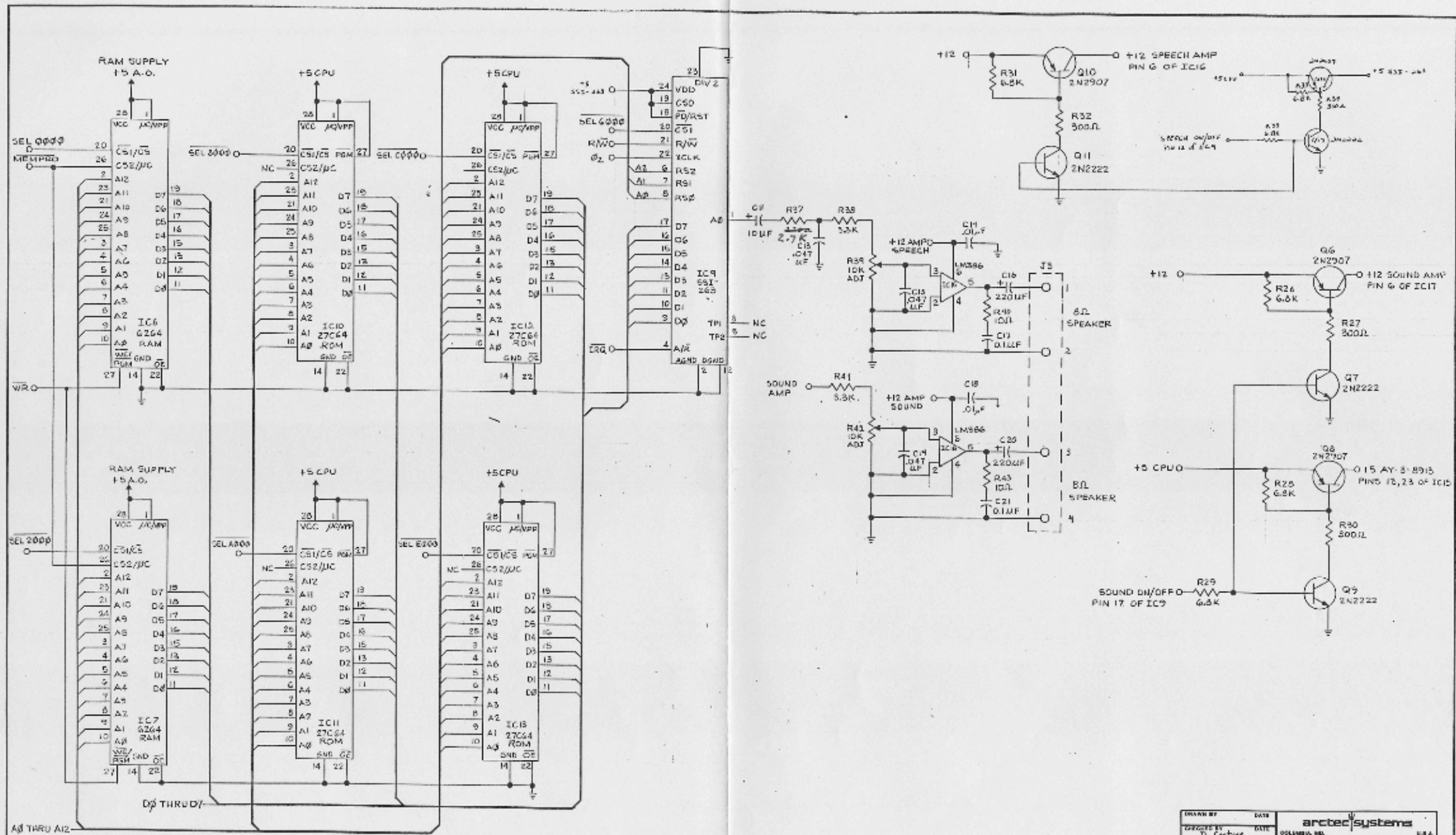


DESIGNED BY T. H. WELBY	DATE 6/22/66	ARCDEC SYSTEMS COLUMBIA, MD. U.S.A.	
DESIGNED BY T. H. WELBY	DATE 6/22/66	TITLE POWER DISTRIBUTION BD.	
APPROVED BY M. J. WELBY	DATE 7/1/66	SCALE	REV. 1 OF 1
TO BE USED UNLESS OTHERWISE SPECIFIED		DESIGNED BY T. H. WELBY	PART NUMBER
REV. 1			
REV. 2			
REV. 3			
REV. 4			
REV. 5			
REV. 6			
REV. 7			
REV. 8			
REV. 9			
REV. 10			



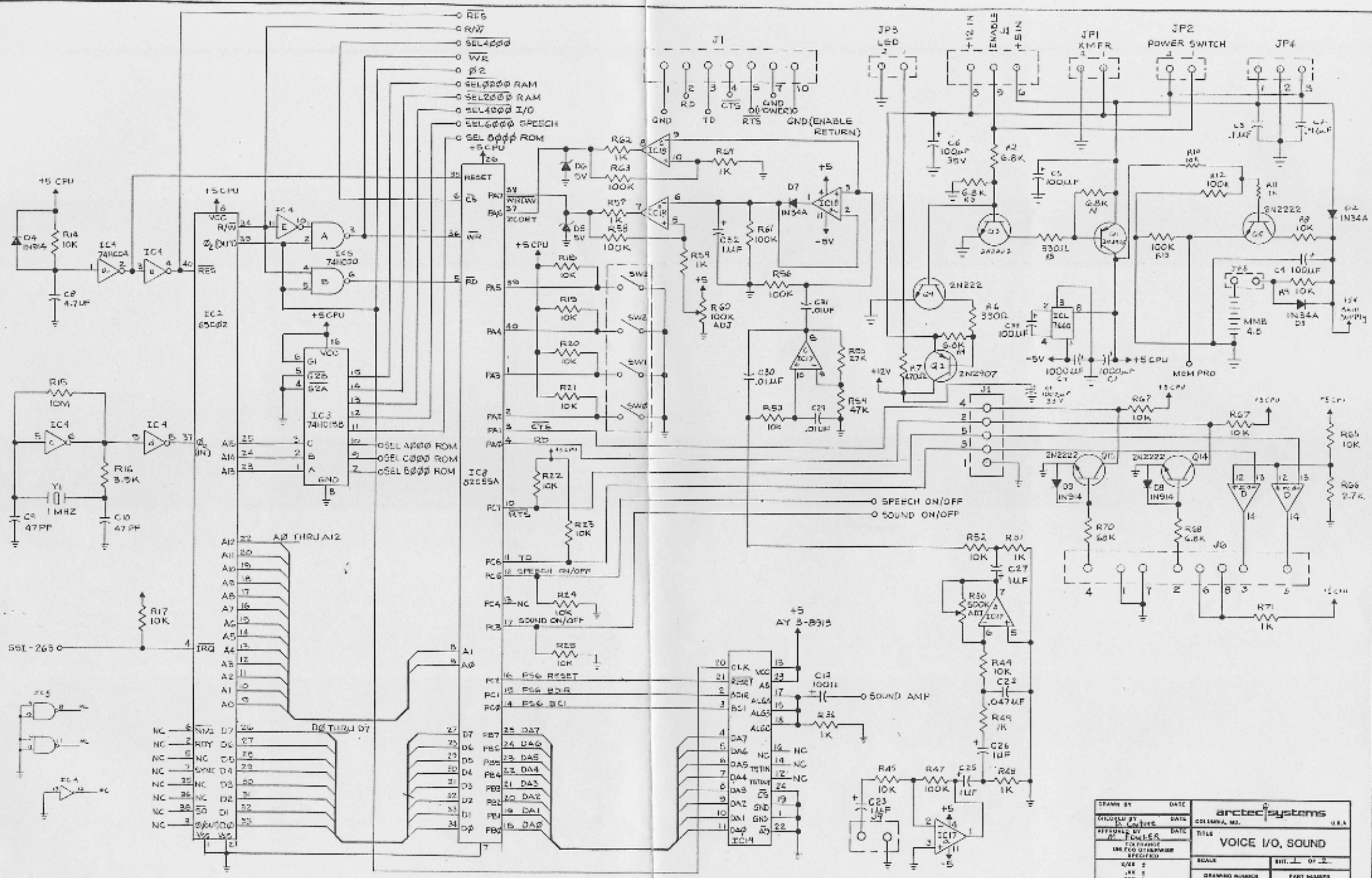


DESIGNED BY	DATE	ELECTRONIC SUBSYSTEMS	
DRAWN BY	REVISED BY	S.A.A.	
APPROVED BY	DATE	TITLE	
TOLERANCE UNLESS OTHERWISE SPECIFIED		805 BOARD CONNECTORS	
SCALE		REV.	OF
DESIGN NUMBER		PART NUMBER	
8			
REVISION	DATE	APPROVED BY	REASON FOR CHANGE



DESIGNED BY	DATE	arctec systems
DESIGNED BY	DATE	
APPROVED BY	DATE	COLUMBIA, MO. U.S.A.
TOLERANCES UNLESS OTHERWISE SPECIFIED		TITLE
		VOICE I/O, SOUND
SCALE		SHEET 1 OF 1
DRAWING NUMBER		PART NUMBER
DATE	APPROVED BY	SUPPLIER
		PLACES FOR COMMENTS





DESIGNED BY D. LITTLE	DATE	arctic systems COLUMBIA, MD. U.S.A.	
APPROVED BY R. FOWLER	DATE	TITLE VOICE I/O, SOUND	
SCALE		SHEET 1 OF 2	
DRAWING NUMBER		PART NUMBER	
REVISIONS		APPROVED BY	