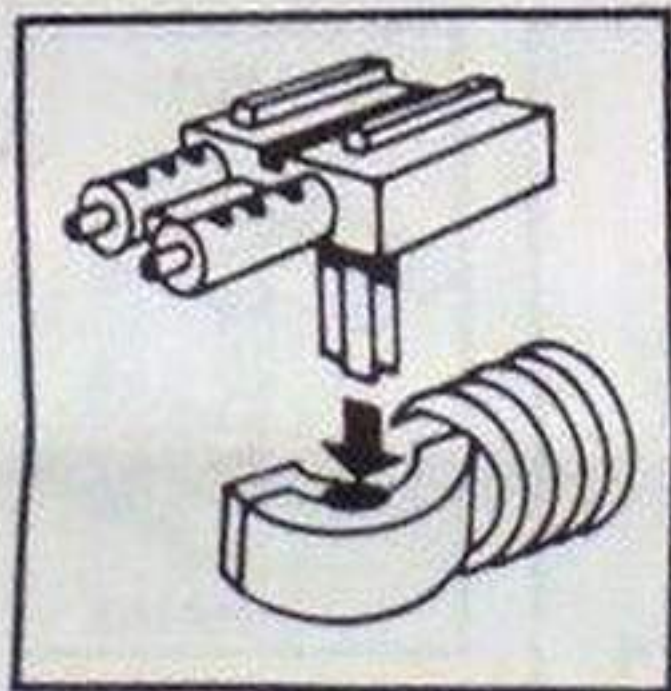


# ROBO FORCE™

ACTION ROBOT FIGURES

INSTRUCTIONS  
FOR  
MAXX  
STEELE™  
No. 48122



All weapons and accessories are interchangeable among all robots (weapon shown may not be included with all robots).

To activate Crusher Arms, firmly press PUSHBUTTON on robot's BACKPACK. Arms will come together. Arms can also be rotated manually at the shoulders.

Firmly press BASE of robot onto flat, smooth surface or object. Pull up firmly to remove.

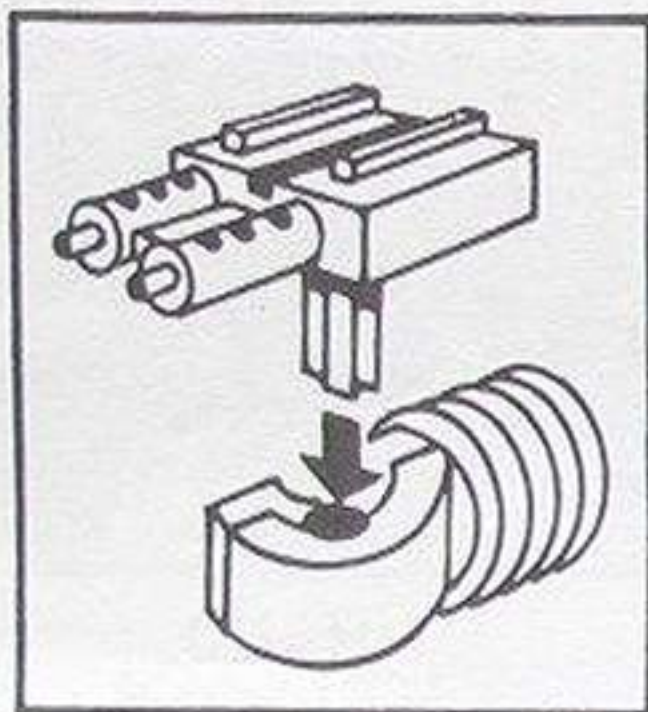


# ROBO FORCE™

**ACTION ROBOT FIGURES**

## INSTRUCTIONS FOR BLAZER™

No. 48124

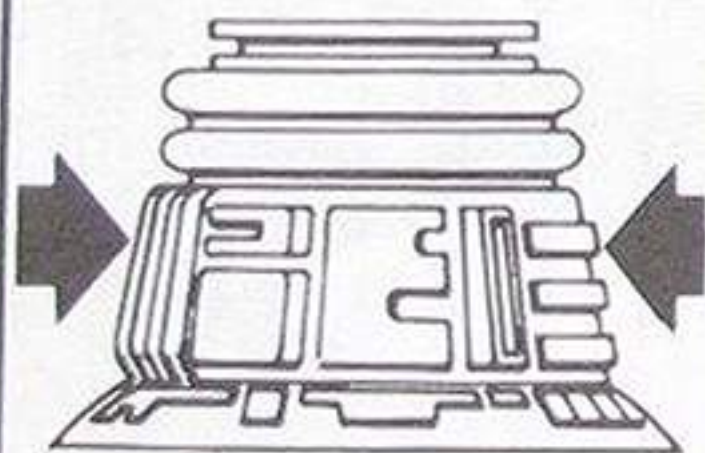


All weapons and accessories are interchangeable among all robots (weapon shown may not be included with all robots).

To activate Crusher Arms, firmly press **PUSHBUTTON** on robot's **BACKPACK**. Arms will come together. Arms can also be rotated manually at the shoulders.



### GRIPPER BASE



OBJECT OR SURFACE

Firmly press **BASE** onto flat, smooth surface or object. Squeeze sides of **BASE** to remove.

### SQUEEZE

360° Swivel Waist: Firmly hold **BASE** while twisting **BODY**.

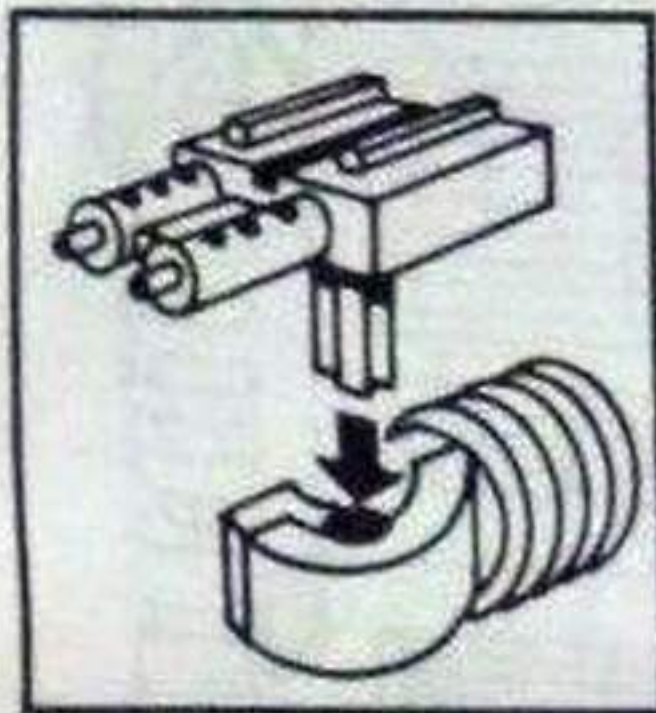
**IDEAL™**

# ROBO FORCE™

**ACTION ROBOT FIGURES**

## INSTRUCTIONS FOR COPTOR™

No. 48125



All weapons and accessories are interchangeable among all robots (weapon shown may not be included with all robots).

To activate Crusher Arms, firmly press **PUSHBUTTON** on robot's **BACKPACK**. Arms will come together. Arms can also be rotated manually at the shoulders.



Firmly press **BASE** onto flat, smooth surface or object. Squeeze sides of **BASE** to remove.

### **SQUEEZE**

360° Swivel Waist. Firmly hold **BASE** while twisting **BODY**.

**IDEAL™**

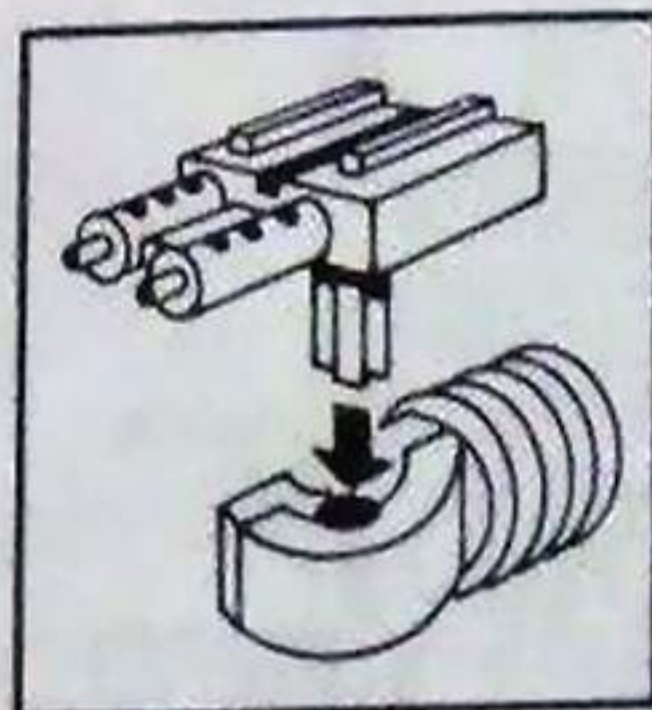
# ROBO FORCE™

INSTRUCTIONS  
FOR

**CRUEL™**

No. 48129

**ACTION ROBOT FIGURES**



All weapons and accessories are interchangeable among all robots (weapon shown may not be included with all robots).

To activate Crusher Arms, firmly press **PUSHBUTTON** on robot's **BACKPACK**. Arms will come together. Arms can also be rotated manually at the shoulders.



## GRIPPER BASE



Firmly press **BASE** onto flat, smooth surface or object. Squeeze sides of **BASE** to remove.

## SQUEEZE

360° Swivel Waist: Firmly hold **BASE** while twisting **BODY**.

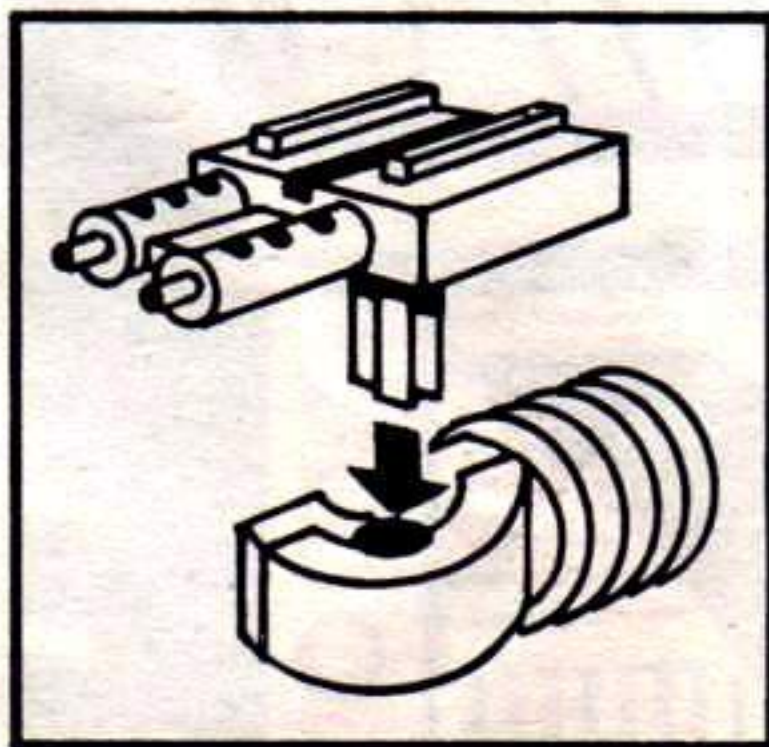
**IDEAL™**

# ROBO FORCE™

**ACTION ROBOT FIGURES**

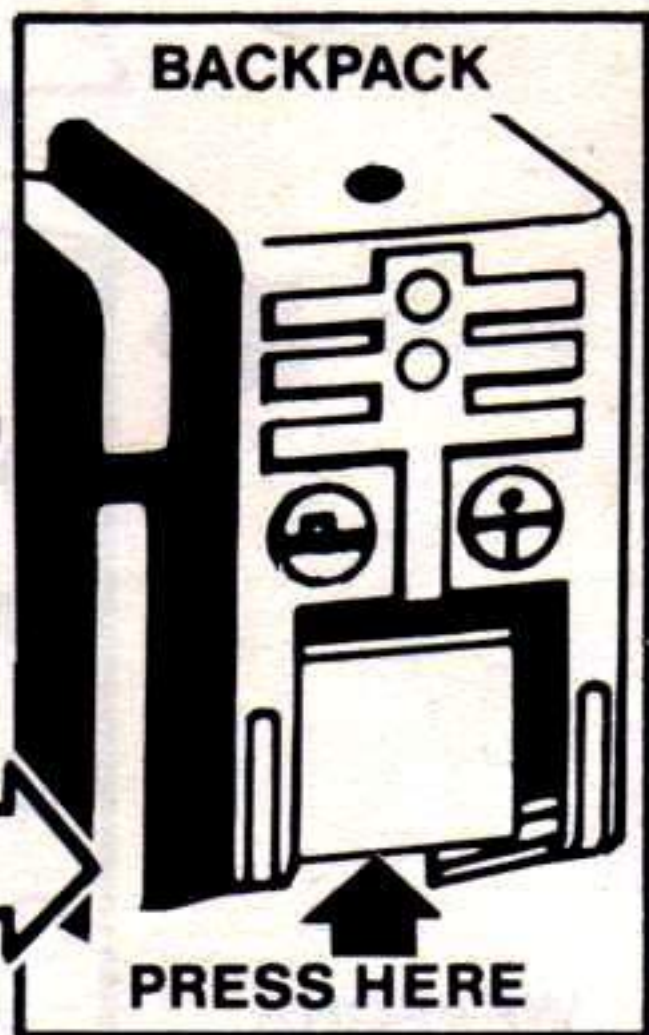
## INSTRUCTIONS FOR ENEMY™

No. 48130



All weapons and accessories are interchangeable among all robots (weapon shown may not be included with all robots).

To activate Crusher Arms, firmly press **PUSHBUTTON** on robot's **BACKPACK**. Arms will come together. Arms can also be rotated manually at the shoulders.



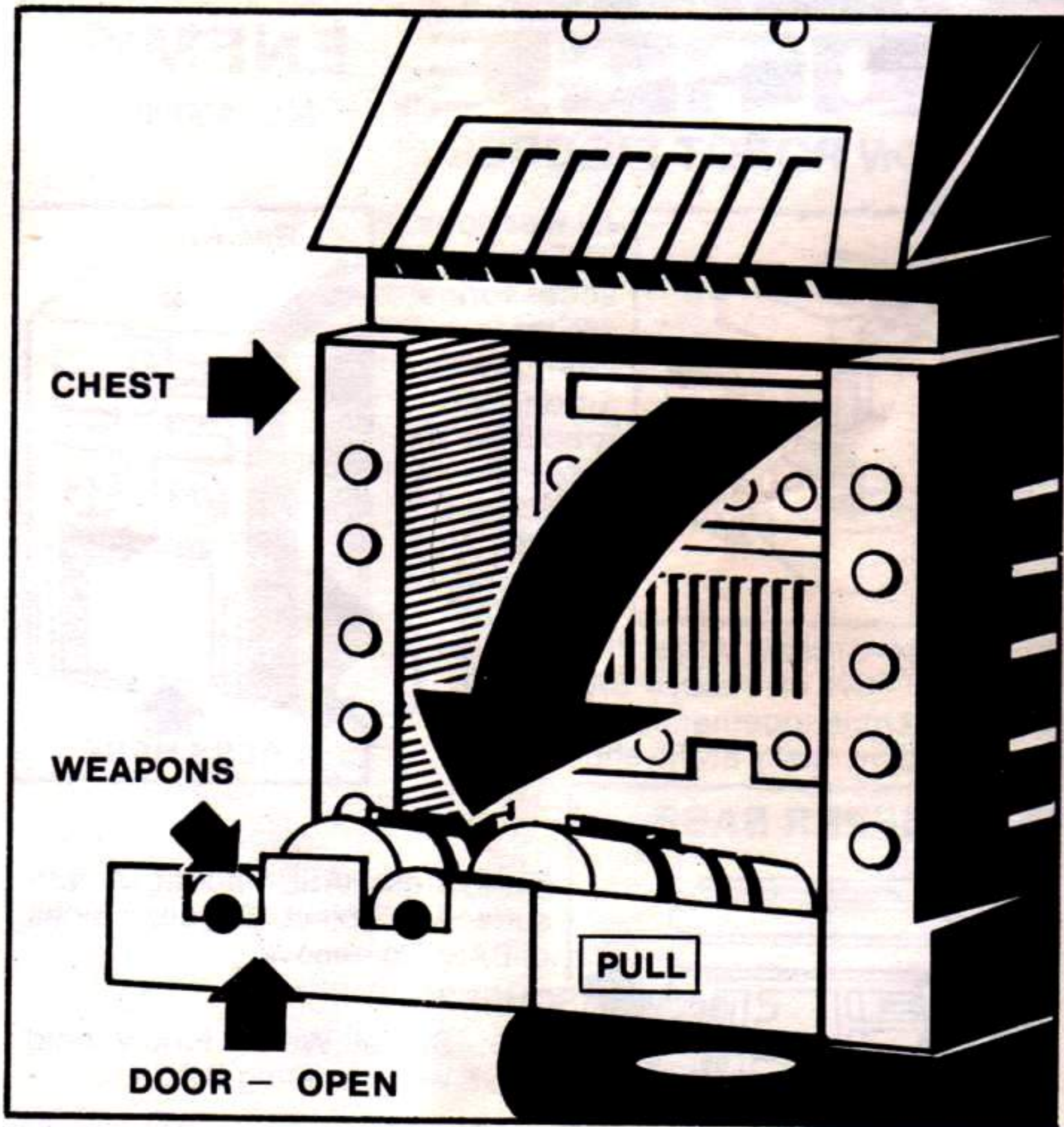
Firmly press **BASE** onto flat, smooth surface or object. Squeeze sides of **BASE** to remove.

### **SQUEEZE**

**360° Swivel Waist:** Firmly hold **BASE** while twisting **BODY**.

**IDEAL™**

ENEMY™ has a HIDDEN WEAPON COMPARTMENT in his chest.  
Pull down to open. Weapons are inside.



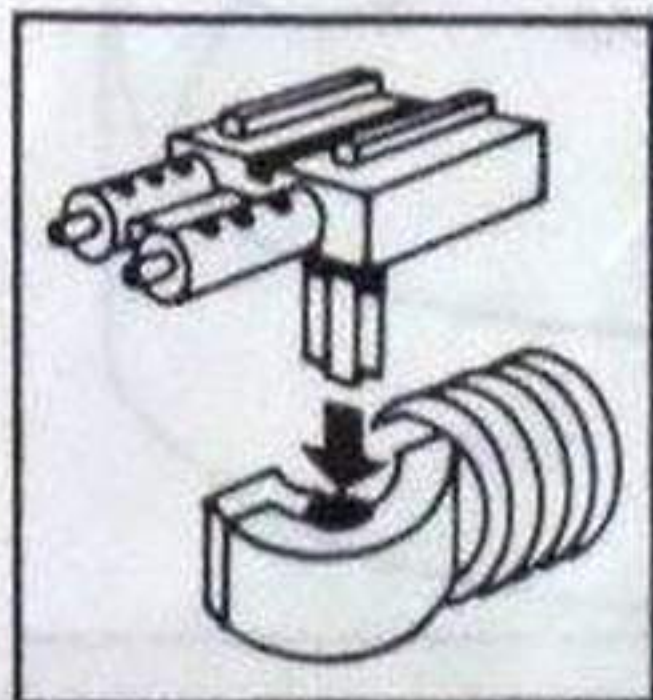
# ROBO FORCE™

INSTRUCTIONS  
FOR

**Hundred™**

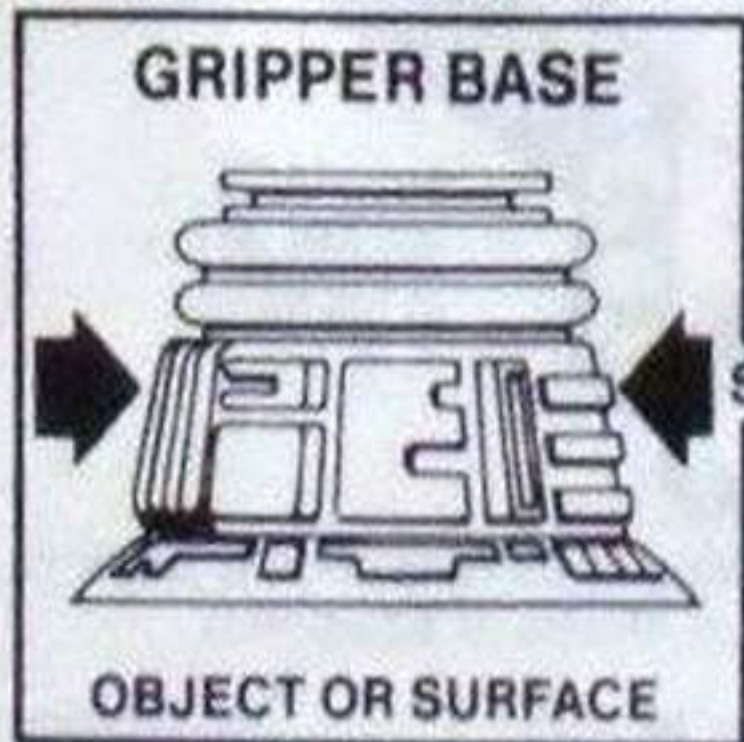
No. 48128

**ACTION ROBOT FIGURES**



All weapons and accessories are interchangeable among all robots (weapon shown may not be included with all robots).

To activate Crusher Arms, firmly press **PUSHBUTTON** on robot's **BACKPACK**. Arms will come together. Arms can also be rotated manually at the shoulders.



Firmly press **BASE** onto flat, smooth surface or object. Squeeze sides of **BASE** to remove.

**SQUEEZE**

360° Swivel Waist. Firmly hold **BASE** while twisting **BODY**.

**IDEAL™**

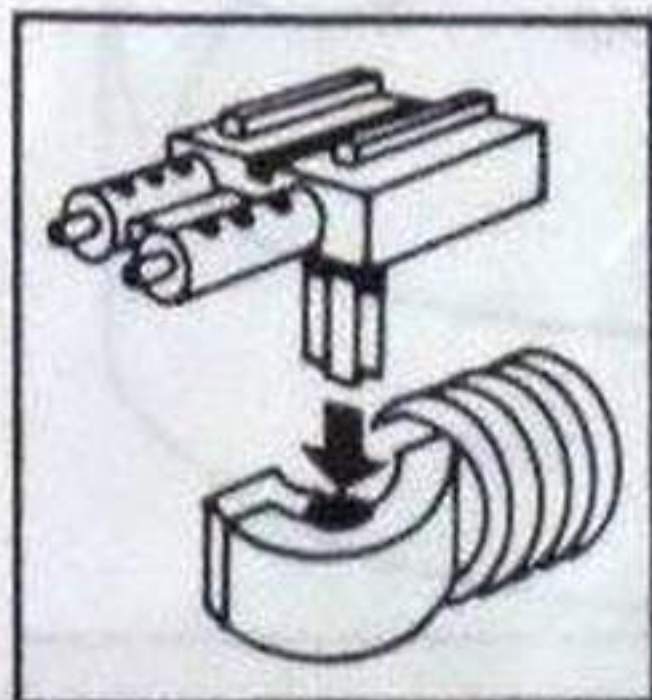
# ROBO FORCE™

INSTRUCTIONS  
FOR

**Sentinel™**

No. 48127

**ACTION ROBOT FIGURES**



All weapons and accessories are interchangeable among all robots (weapon shown may not be included with all robots).

To activate Crusher Arms, firmly press **PUSHBUTTON** on robot's **BACKPACK**. Arms will come together. Arms can also be rotated manually at the shoulders.



Firmly press **BASE** onto flat, smooth surface or object. Squeeze sides of **BASE** to remove.

**SQUEEZE**

360° Swivel Waist. Firmly hold **BASE** while twisting **BODY**.

**IDEAL™**



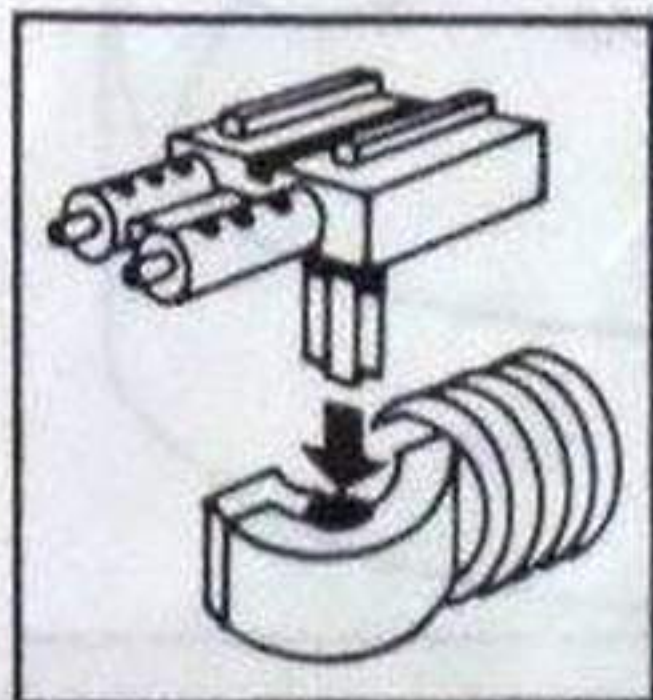
# ROBO FORCE™

INSTRUCTIONS  
FOR

**S.O.T.A.™**

No. 48126

**ACTION ROBOT FIGURES**



All weapons and accessories are interchangeable among all robots (weapon shown may not be included with all robots).

To activate Crusher Arms, firmly press **PUSHBUTTON** on robot's **BACKPACK**. Arms will come together. Arms can also be rotated manually at the shoulders.



Firmly press **BASE** onto flat, smooth surface or object. Squeeze sides of **BASE** to remove.

**SQUEEZE**

360° Swivel Waist. Firmly hold **BASE** while twisting **BODY**.

**IDEAL™**

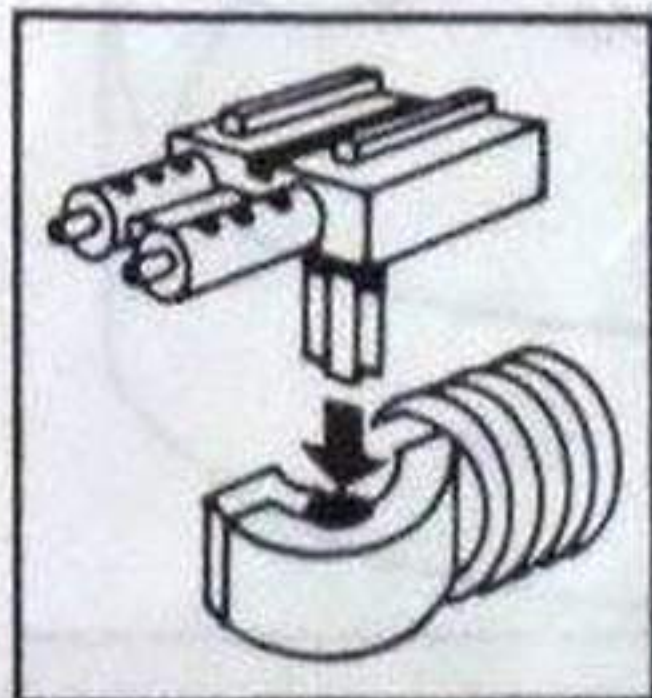
# ROBO FORCE™

INSTRUCTIONS  
FOR

VULGAR™

No. 48131

ACTION ROBOT FIGURES



All weapons and accessories are interchangeable among all robots (weapon shown may not be included with all robots).

To activate Crusher Arms, firmly press **PUSHBUTTON** on robot's **BACKPACK**. Arms will come together. Arms can also be rotated manually at the shoulders.



**GRIPPER BASE**

Firmly press **BASE** onto flat, smooth surface or object. Squeeze sides of **BASE** to remove.

**SQUEEZE**

360° Swivel Waist. Firmly hold **BASE** while twisting **BODY**.

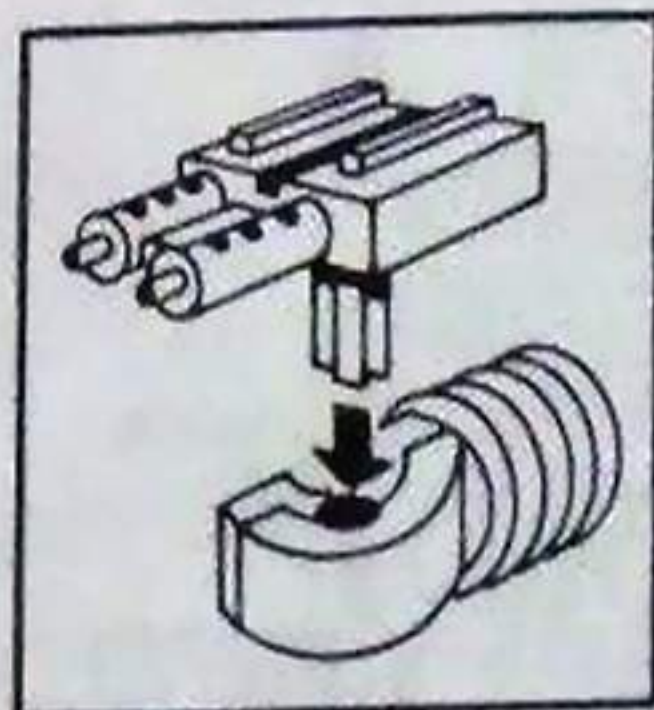
**IDEAL™**

# ROBO FORCE™

## INSTRUCTIONS FOR WRECKER™

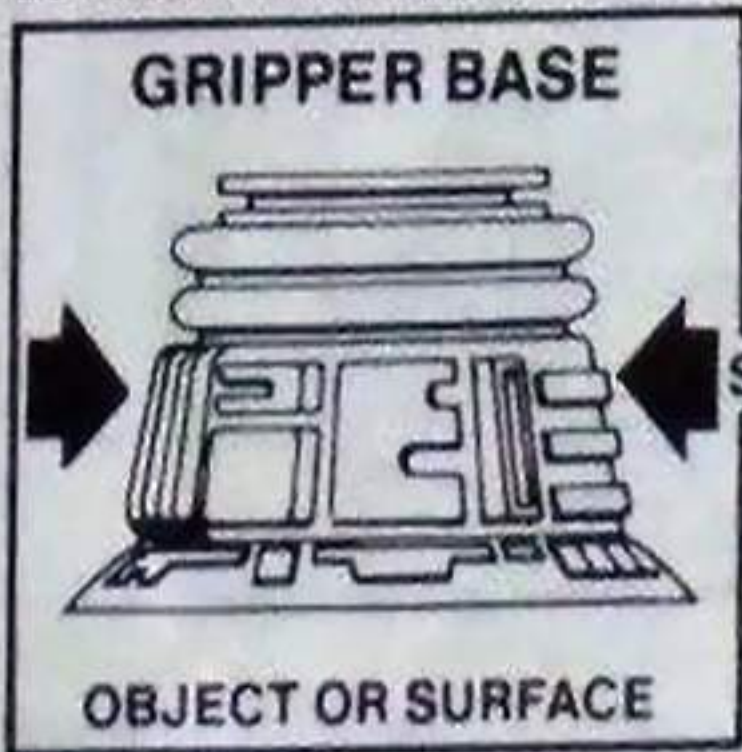
No. 48123

### ACTION ROBOT FIGURES



All weapons and accessories are interchangeable among all robots (weapon shown may not be included with all robots).

To activate Crusher Arms, firmly press **PUSHBUTTON** on robot's **BACKPACK**. Arms will come together. Arms can also be rotated manually at the shoulders.



### GRIPPER BASE

Firmly press **BASE** onto flat, smooth surface or object. Squeeze sides of **BASE** to remove.

### SQUEEZE

360° Swivel Waist: Firmly hold **BASE** while twisting **BODY**.

**IDEAL™**