

### The "Air Bot"™ Turns It On!

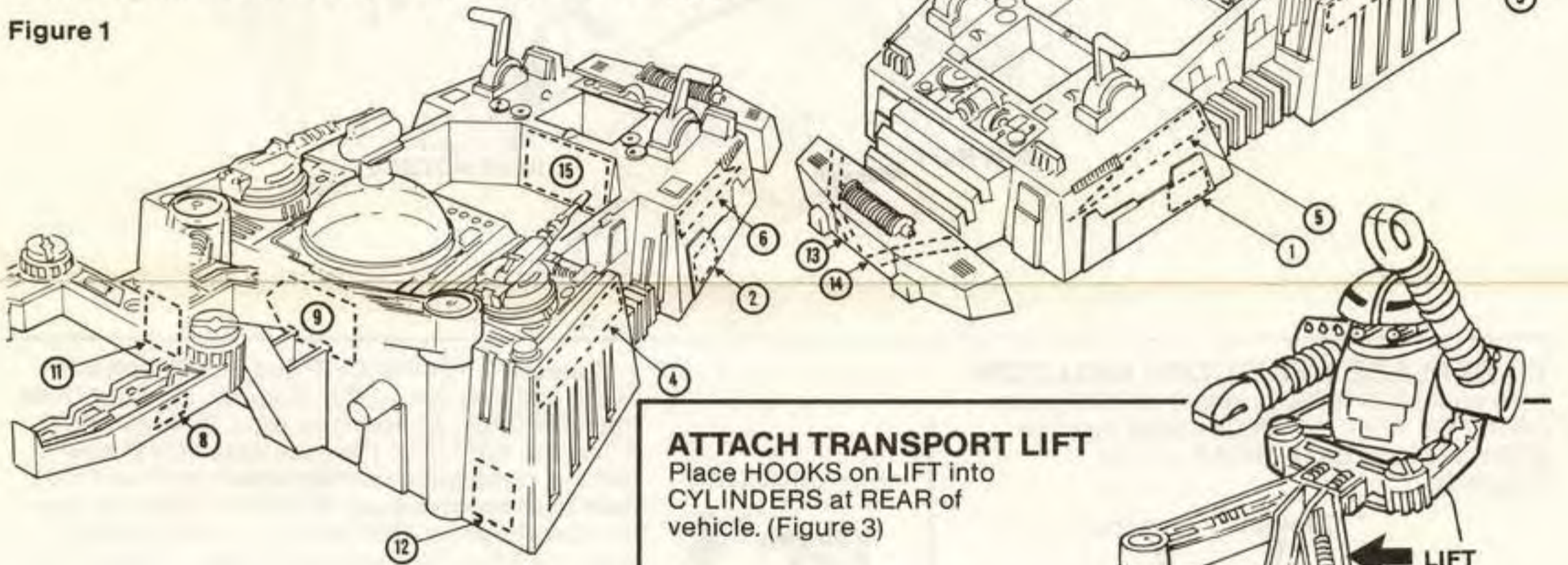
Powered by air, Robocruiser™ carries Robo Force™ Robot Figures through the evils of HUN-DRED™'S domain, in their continuous pursuit of justice. This unique vehicle features a special "Air Bot"™ power pump that fits into the rear nozzle. Pump it to make the periscope and "fuel in-

dicator" rise, then watch Robocruiser™ peel out! Equipped with 2 Laser Swivel Cannons and a Robot Transport Lift, Robocruiser™ defends the Robo Force™.

**CONTENTS:** ROBOCRUISER™ Vehicle, 2 Laser Swivel Cannons, Air Bot™ Power Pump, Robot Transport Lift, Extra Balloon, Label Sheet and Instructions.

**LABELS:** LABELS are numbered to correspond to locations on vehicles as shown in Figure 1. Locate LABEL area on Robocruiser™. Carefully peel LABEL from BACKING SHEET and press to apply.

Figure 1



### INSERT BATTERIES

Two "AA" Batteries Required (not included). Alkaline Batteries Recommended. To remove BATTERY COVER, insert finger in NOTCH, and LIFT. Insert 2 "AA" Alkaline BATTERIES as shown. (Figure 2) Replace BATTERY COVER.

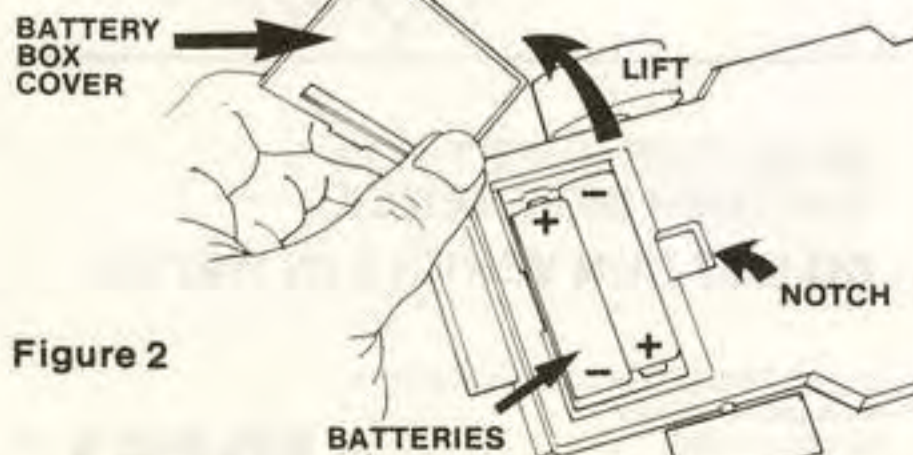
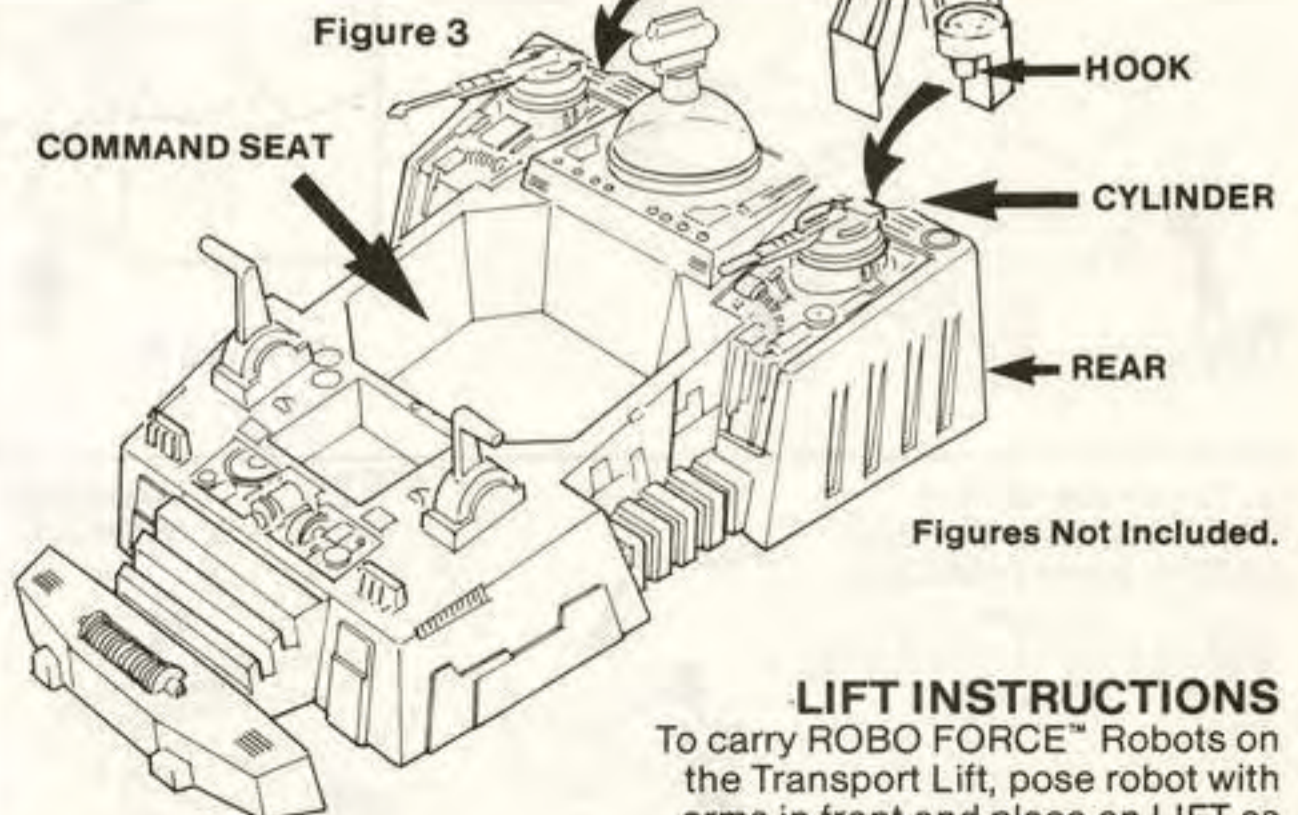


Figure 2

**IMPORTANT: OBSERVE BATTERY POLARITY.** If vehicle runs backwards, reverse battery direction.

### ATTACH TRANSPORT LIFT

Place HOOKS on LIFT into CYLINDERS at REAR of vehicle. (Figure 3)



Figures Not Included.

### LIFT INSTRUCTIONS

To carry ROBO FORCE™ Robots on the Transport Lift, pose robot with arms in front and place on LIFT as shown in Figure 3. NOTE: To balance vehicle, another Robot must be seated in the COMMAND SEAT.

### INSERT LASER SWIVEL CANNONS

Insert PINS on CANNONS into HOLES on VEHICLE (see Figure 4).

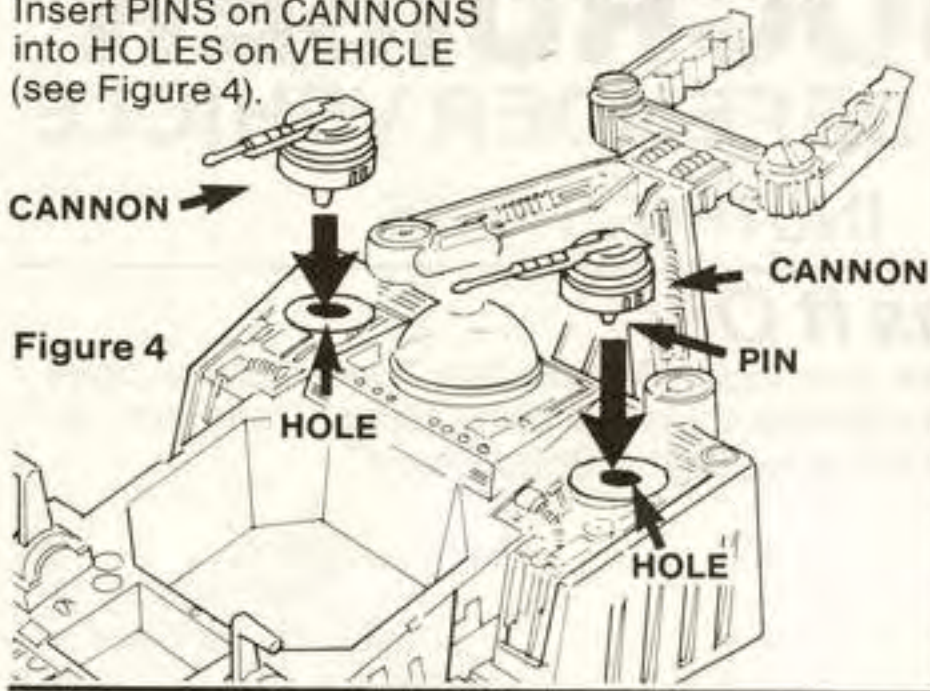
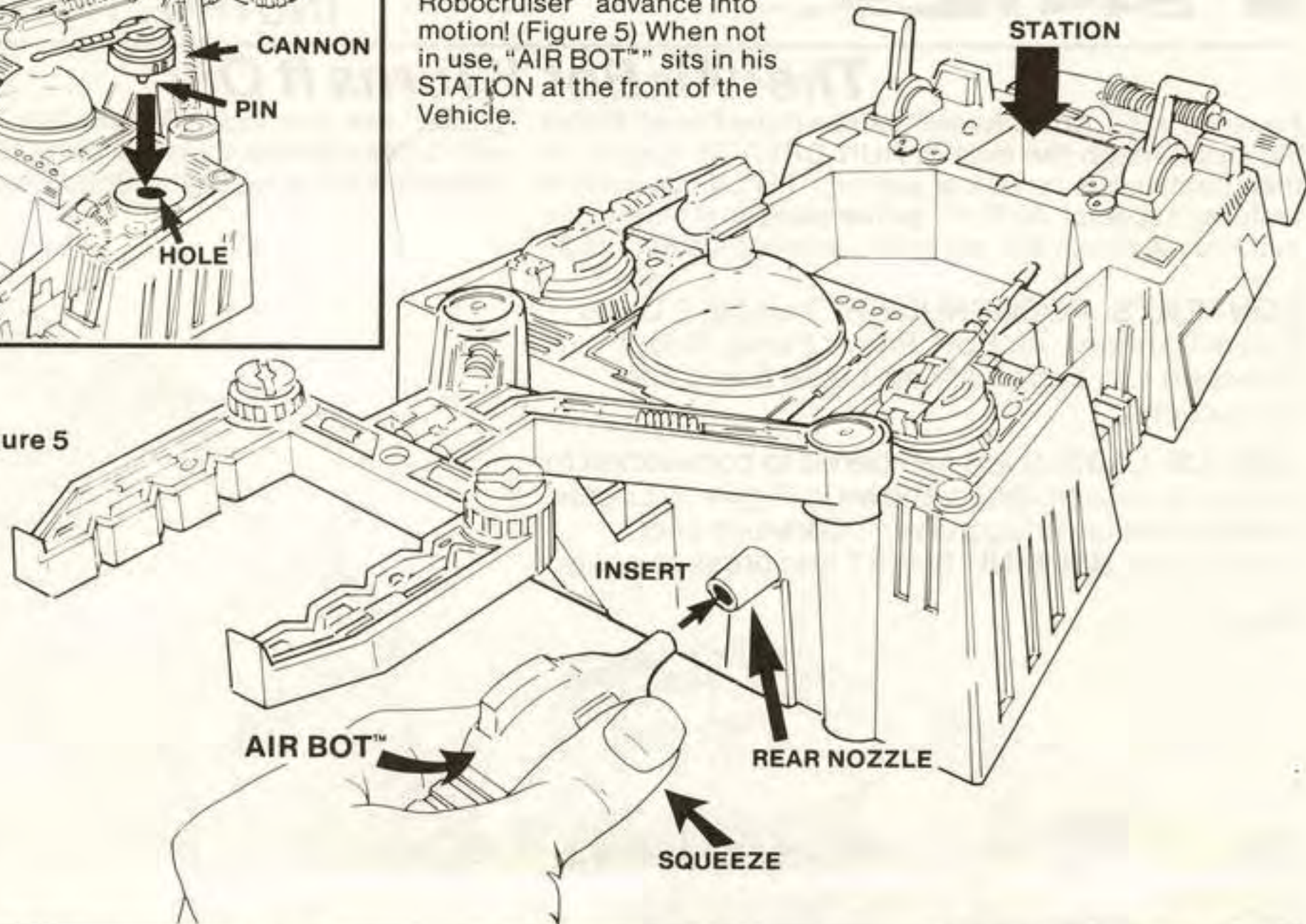


Figure 4

### TO OPERATE VEHICLE

INSERT the "AIR BOT™" Power Pump into the REAR NOZZLE. Hold vehicle in position and SQUEEZE the "AIR BOT™" approximately 5-8 times. Do not Squeeze More Than 10 Times! RELEASE, with "AIR BOT™" in place, and watch Robocruiser™ advance into motion! (Figure 5) When not in use, "AIR BOT™" sits in his STATION at the front of the Vehicle.

Figure 5



### TO REPLACE PERISCOPE BALLOON

1. To remove CHASSIS, unhook LATCH under FRONT OF VEHICLE, lift CHASSIS from the BODY, and unhook the REAR LATCH. (Figure 6)

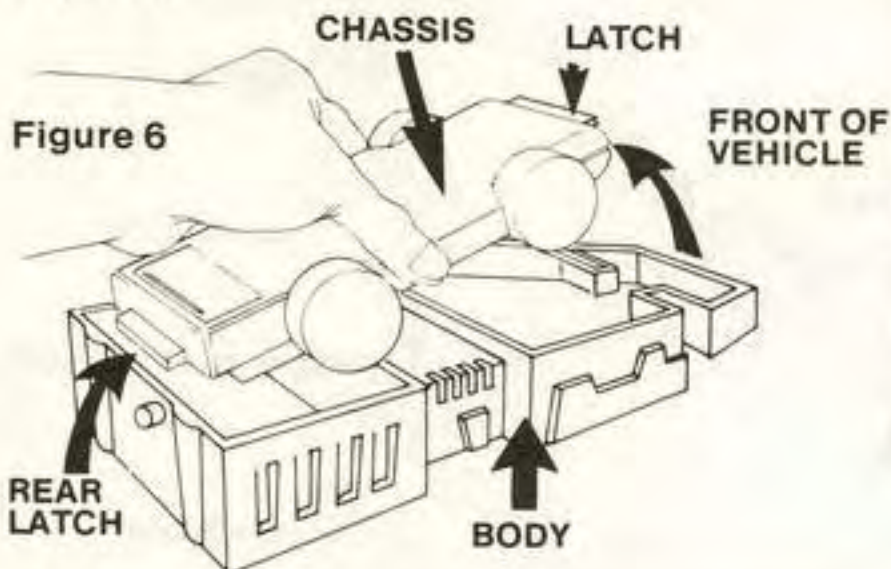


Figure 6

2. Squeeze 2 PRONG CLIP and SLIDE it off AIR TUBE and over BALLOON. Remove old BALLOON from AIR TUBE. Stretch new BALLOON and SLIP it over the AIR TUBE. (To ease assembly of new balloon, place pencil inside balloon neck and roll neck back towards body of balloon. Then roll onto air tube.) Replace 2PRONG CLIP by SLIDING it over new BALLOON onto AIR TUBE. (Figure 7) If new balloon breaks, replace with ordinary balloon of the same size.

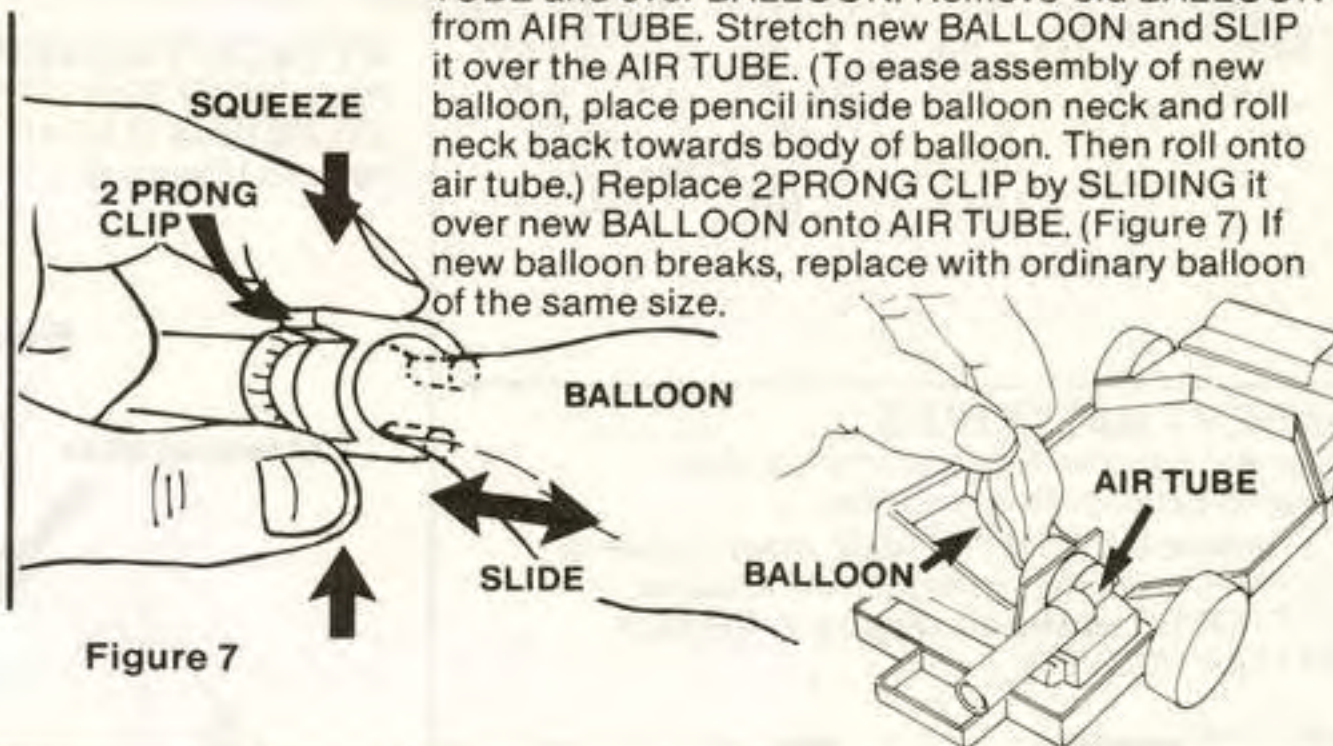
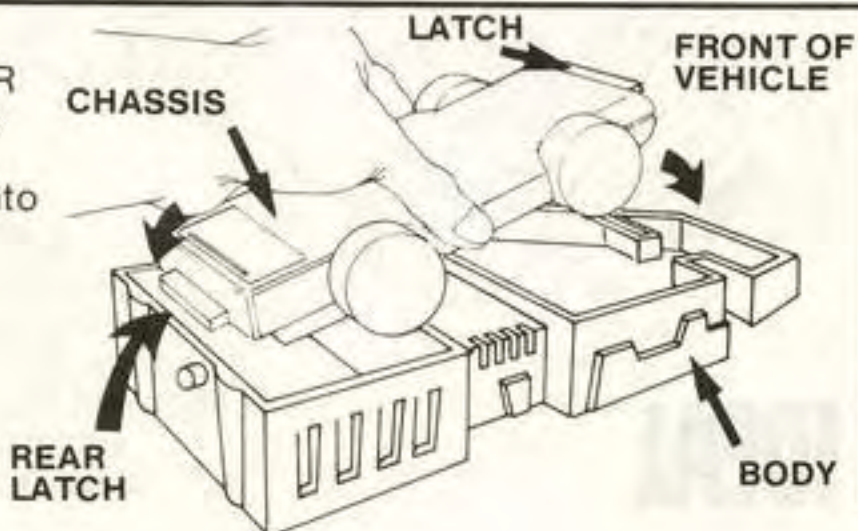


Figure 7

3. To replace vehicle CHASSIS, engage REAR LATCH, lower CHASSIS forward and down, then SNAP FRONT LATCH into place.



**KEEP THIS SHEET FOR FURTHER REFERENCE.**

**DO NOT RUN VEHICLE IN WATER.**

©1984 CBS Toys, A Division of CBS Inc.  
Newark, NJ 07105  
2L-2977-0000

